

COMPACT DISC PLAYER

CDX-2020/1120/CD-5050

SERVICE MANUAL

IMPORTANT NOTICE

This manual has been provided for the use of authorized Yamaha Retailers and their service personnel. It has been assumed that basic service procedures inherent to the industry, and more specifically Yamaha Products, are already known and understood by the users, and have therefore not been restated.

WARNING: Failure to follow appropriate service and safety procedures when servicing this product may result in personal injury, destruction of expensive components and failure of the product to perform as specified. For these reasons, we advise all Yamaha product owners that all service required should be performed by an authorized Yamaha Retailer or the appointed service representative.

IMPORTANT: The presentation or sale of this manual to any individual or firm does not constitute authorization, certification or recognition of any applicable technical capabilities, or establish a principle-agent relationship of any form.

The data provided is believed to be accurate and applicable to the unit(s) indicated on the cover. The research, engineering, and service departments of Yamaha are continually striving to improve Yamaha products. Modifications are, therefore, inevitable and specifications are subject to change without notice or obligation to retrofit. Should any discrepancy appear to exist, please contact the distributor's Service Division.

WARNING: Static discharges can destroy expensive components. Discharge any static electricity your body may have accumulated by grounding yourself to the ground buss in the unit (heavy gauge black wires connect to this buss).

IMPORTANT: Turn the unit OFF during disassembly and parts replacement. Recheck all work before you apply power to the unit.

■ CONTENTS

TO SERVICE PERSONNEL 1, 2	BLOCK DIAGRAM 26, 27
INTERLOCK OPERATION 3	IC DATA 28 ~ 37
DISENGAGING TRANSPORTATION LEVER 3	LCD DATA 38
FRONT & REAR PANELS 4	INTERCONNECT WIRING DIAGRAM 39
SPECIFICATIONS 5	PRINTED CIRCUIT BOARD 40 ~ 45
INTERNAL VIEW 5	SCHEMATIC DIAGRAM 46 ~ 48
DISASSEMBLY PROCEDURES 6	PARTS LIST 49 ~ 66
ADJUSTMENTS 7 ~ 22	REMOTE CONTROL TRANSMITTER 67
TEST MODE 23 ~ 25	

CDX-2020/1120/
CD-5050

■ TO SERVICE PERSONNEL

1. Critical Components Information.

Components having special characteristics are marked and must be replaced with parts having specifications equal to those originally installed.

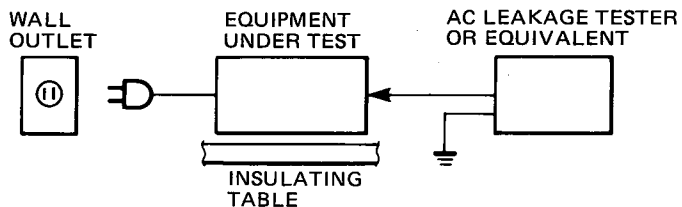
2. Leakage Current Measurement (For 120V Model Only).

When service has been completed, it is imperative that you verify that all exposed conductive surfaces are properly insulated from supply circuits.

- Meter impedance should be equivalent to 1500 ohm shunted by 0.15 μ F.
- Leakage current must not exceed 0.5mA.
- Be sure to test for leakage with the AC plug in both polarities.

• POLARIZATION (U, C models)

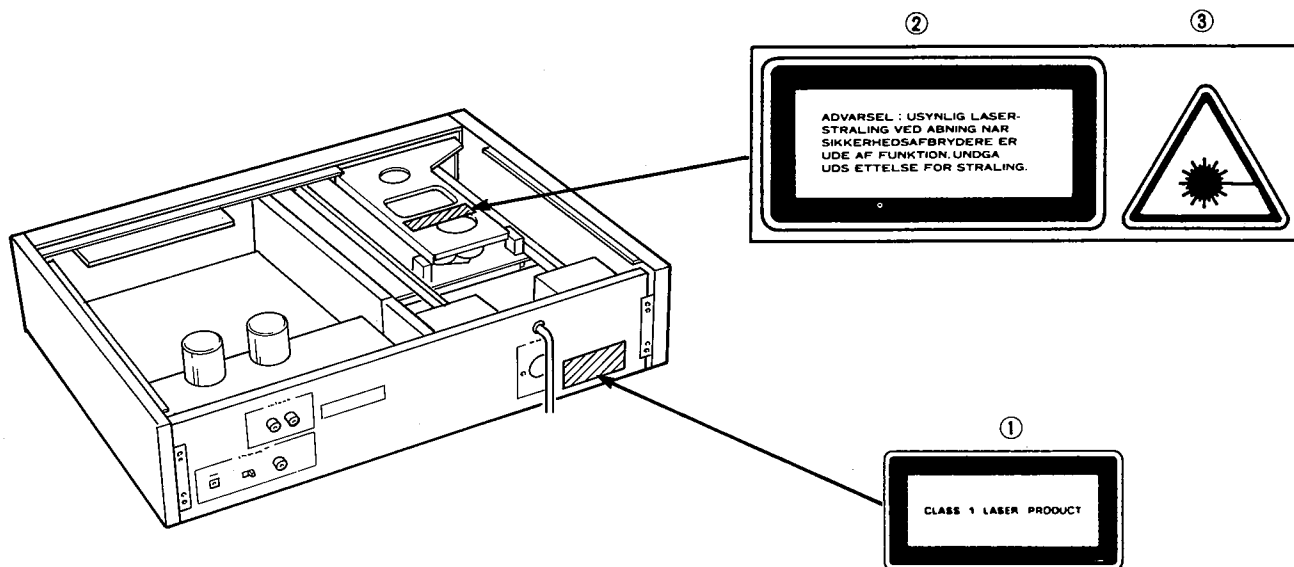
This CD player product is equipped with a polarized alternating-current line plug (a plug having one blade wider than the other). This plug will fit into the power outlet only one way. This is a safety feature.



CAUTION-USE OF CONTROLS, ADJUSTMENTS, OR PERFORMANCE OF PROCEDURES OTHER THAN THOSE SPECIFIED HEREIN, MAY RESULT IN HAZARDOUS RADIATION EXPOSURE.

THE COMPACT DISC PLAYER SHOULD NOT BE ADJUSTED OR REPAIRED BY ANYONE EXCEPT PROPERLY QUALIFIED SERVICE PERSONNEL.

G, B models



English

- ① THIS LABEL IS ATTACHED AT THE PLACE ILLUSTRATED TO INFORM THAT THE APPARATUS CONTAINS A LASER COMPONENT.
- ② THIS LABEL IS ATTACHED IN THE POSITION SHOWN IN THE ILLUSTRATION TO WARN THAT ANY FURTHER PROCEDURE WILL BRING THE USER INTO EXPOSURE WITH THE LASER BEAM.
- ③ THE RADIATION WARNING LABEL IS PLACED INSIDE THE UNIT AS SHOWN IN THE ILLUSTRATION, TO WARN AGAINST FURTHER MEASURES ON THE UNIT. THE EQUIPMENT CONTAINS A LASER COMPONENT RADIATING LASER RAYS EXCEEDING THE LIMIT OF CLASS 1 LASER PRODUCTS.

CAUTION—USE OF CONTROLS, ADJUSTMENTS OR PERFORMANCE OF PROCEDURES OTHER THAN THOSE SPECIFIED HEREIN, MAY RESULT IN HAZARDOUS RADIATION EXPOSURE.

Swedish

- ① PÅSKRIFTEN SITTE PÅ APPARATEM SOM VISAS SOM EN UPPMANING OM ATT APPARATEN OMFATTAR EN INBYGGD LASERKOMPONENT.
- ② TEXTSKYLTEN FÖR LASERN ÄR PLACERAD PÅ APPARATEN SOM EN UPPMANING OM ATT APPARATEN INNEHÅLLER EN LASERKOMPONENT.
- ③ VARNINGSSKYLTEN FÖR STRÅLNING HAR PLACERATS I APPARATEN, SOM BILDEN VISAR, SOM EN VARNING OM YTTRELLIGARE INGREPP I APPARATEN. MATERIELEN INNEHÅLLER EN LASERKOMPONENT SOM AVGER LASERSTRÅLNING ÖVERSTIGANDE GRÄNSEN FÖR LASERKLASS 1.

VARNING—INGREPP I APPARATEN BÖR ENDAST FÖRETAS AV FACKMAN MED KUNSKAP OM ATT RISK FÖRELIGGER FÖR RADIOAKTIV STRÅLNING.

Danish

- ① DETTE MÆRKAT ER ANBRAGT SOM VIST I ILLUSTRATIONEN FOR AT ADVARE BRUGEREN OM AT APPARATET INDEHOLDER EN LASERKOMPONENT.
- ② DETTE MÆRKAT OM LASEREN ER ANBRAGT PÅ APPARATET SOM EN OPLYSNING OM AT APPARATET INDEHOLDER ET LASERKOMPONENT.
- ③ ADVARSELSKILTET OM STRÅLING ER PLACERET INDEN I APPARATET, SOM VIST I ILLUSTRATIONEN, SOM EN ADVARSEL OM YDERLIGERE INDGREB I APPARATET. APPARATET INDEHOLDER ET LASERKOMPONENT SOM AVGIVER LASESTRÅLING DER OVERSTIGER GÆNSEVERDIEN FOR LASERKLASSE 1.
- ③ ADVARSEL! INDGREB BØR KUN FORETAGES AF EN FAGMAND DA DER ER RISIKO FOR RADIOAKTIV STRÅLING.

Finnish

"VAROITUS! LAITE SISÄLTÄÄ LASERDIODIN, JOKA LÄHETTÄÄ (NÄKYMÄTÖNTÄ) SILMILLE VAARALLISTA LASERSÄTEILYÄ."

INTERLOCK OPERATION


The Digital Compact Disc Player reads the disc signals by laser beam detection. The human body must directly exposed to the laser beam. Human eyes are especially not be damaged by the laser beam. This unit is therefore equipped with an interlock to prevent unnecessary laser output.

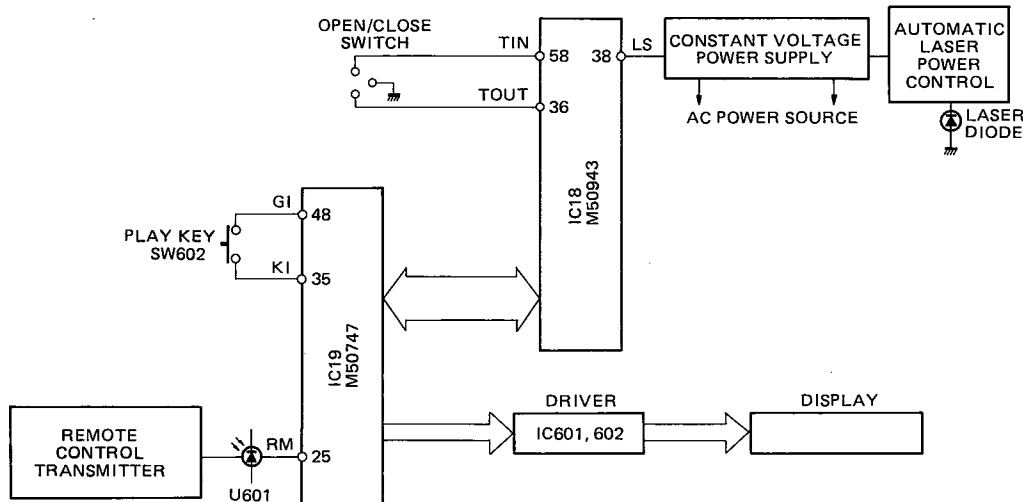
Laser output is controlled by the injection or cutoff of the constant voltage source to the laser diode at Pin 38 (LS) of IC18 (M50943), and also by Automatic Laser Power Control Circuit. When Pin 38 is in "H" (High) level, the laser emits the beam. When Pin 38 is in "L" (Low) level, the laser does not emit the beam.

Pin 38 is set in "H" level when the unit is loaded with a disc and reads the index signals or when the unit is set in the play mode. When the unit reads the index signals and the following two conditions are met, the laser emits the beam.

- 1) When the Loading Limit Switch is set in "CL" side. (The disc tray is closed.)
- 2) When the pickup is located at the area of minimum internal circumference.

After the above conditions are met and the index signals have been read, the laser emits the beam when the following two conditions are met.

- 1) When the PLAY key (SW602) or that of Remote Control Transmitter is pressed.
- 2) When the  display is ON.



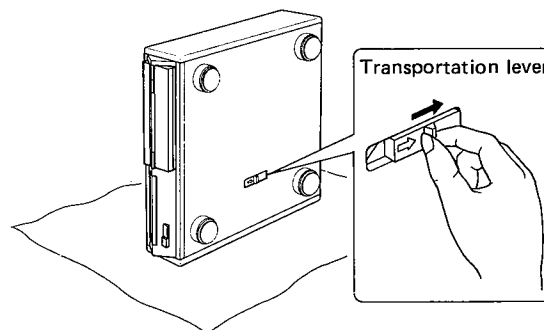
DISENGAGING THE TRANSPORTATION LEVER

In order to protect the internal laser pickup from the vibration and shocks which occur during transportation, it is held in place with a transportation lever located on the bottom of the unit. Be sure to disengage the transportation lever before making any connection.

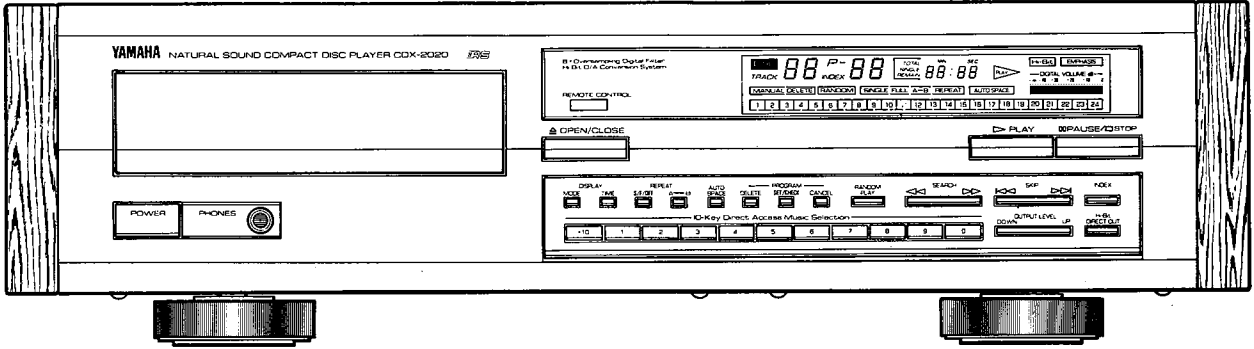
1. As shown in the figure, spread out a soft cloth or other protective material, and gently stand the unit on its side, taking care not to scratch the finish.
2. Slide the lever in the direction of the arrow.

To move the lever, be sure to stand the unit on its side. Do not place it with the front panel facing up (rear panel terminals down).

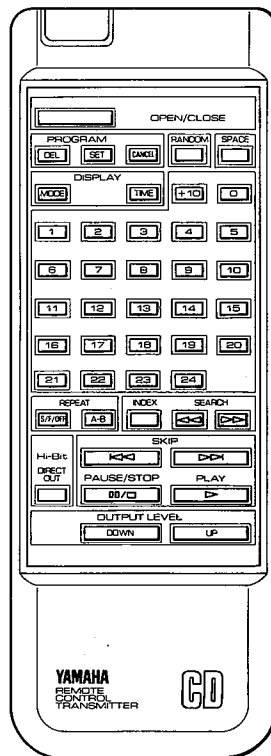
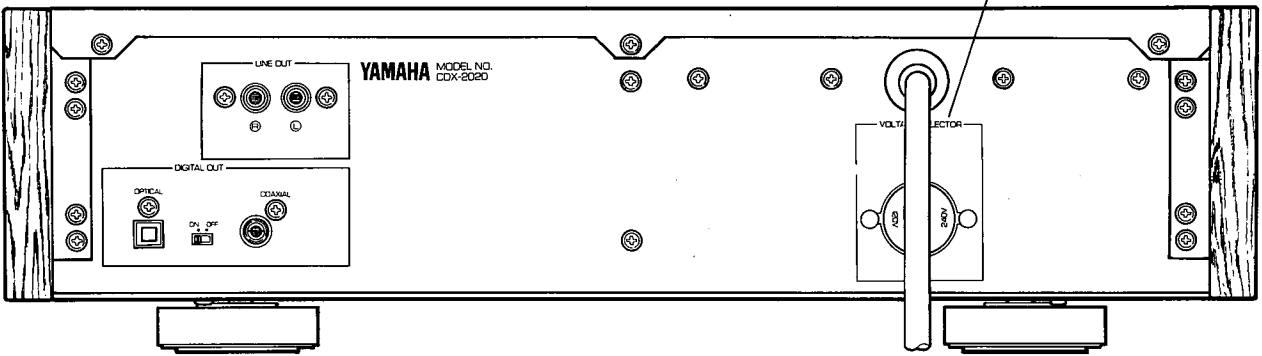
- * If the transportation lever has not been moved in the direction of the arrow, the unit will not play.
- * Before transporting the unit, slide the lever in the opposite direction of the arrow, after confirming that a disc is not loaded in the tray.



FRONT & REAR PANELS



General & PX models only



CDX-2020/1120/
CD-5050

SPECIFICATIONS

AUDIO SECTION

Frequency Response 2 Hz – 20 kHz, ±0.3 dB
 De-Emphasis Equalization ±0.3 dB
 Harmonic Distortion + Noise Less than 0.003% (1 kHz)
 S/N Ratio More than 120 dB
 Dynamic Range More than 100 dB
 Wow & Flutter Unmeasurable
 Channel Separation More than 100 dB (1 kHz, 20 kHz)
 Output Voltage 2V
 Output Impedance 47 ohms
 Headphone Output 280 mV/150 ohms (1 kHz, -20 dB)

INTERNAL SYSTEM

Optical Pick-up 3-beam laser
 Error Correction System CIRC
 D/A Conversion 18-bit floating (L, R 4DAC)
 Filter Hi-Bit 8-Fold Oversampling Digital filter
 3rd order new active filter

GENERAL

Power Requirements
 U. S. A. and Canadian model 120V, 60 Hz
 European model 220 – 240V, 50 Hz
 Australian and U.K. model 240V, 50 Hz
 General and PX models 110 – 130/220 – 240V,
 50/60 Hz
Power Consumption 25W

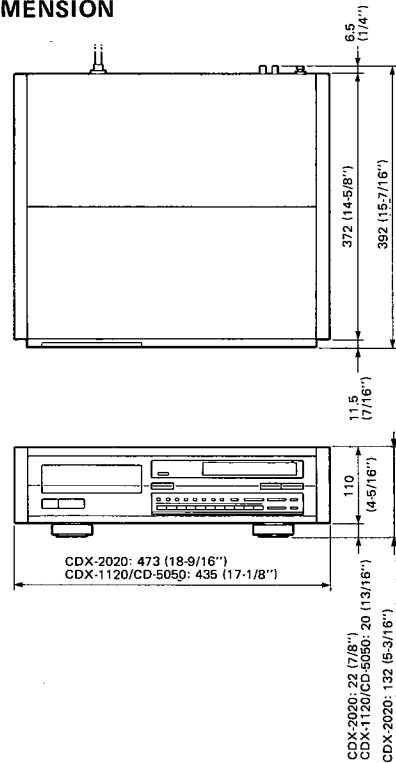
Dimensions (W x H x D)
 CDX-2020 : 473 x 132 x 392 mm
 (18-9/16" x 5-3/16" x 15-7/16")
 CDX-1120/CD-5050 : 435 x 130 x 392 mm
 (17-1/8" x 5-1/8" x 15-7/16")

Weight CDX-2020 : 15.8 kg (34 lbs. 13 oz)
 CDX-1120/CD-5050 : 12 kg (26 lbs. 6 oz)
Accessories Pin plug cord
 Remote control transmitter
 Batteries (size "AA", R06)

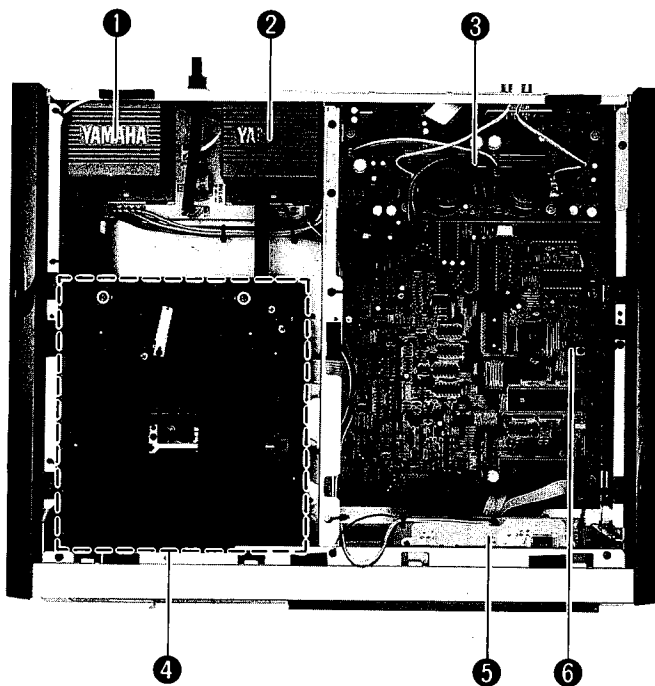
**Specifications are subject to change without notice.*

U U.S.A model G European model
 C Canadian model R General model
 B British model P PX model
 A Australian model

DIMENSION



INTERNAL VIEW



- ① POWER TRANSFORMER (DIGITAL)
- ② POWER TRANSFORMER (ANALOG)
- ③ AUDIO CIRCUIT BOARD (1)
- ④ DM-2L UNIT
- ⑤ OPERATION CIRCUIT BOARD (1)
- ⑥ MAIN CIRCUIT BOARD

CDX-2020/1120/
CD-5050

DISASSEMBLY PROCEDURES

(Remove parts in numbered order)

1. Removal of Top Cover

CDX-2020

- a. Remove 3 screws (①) in Fig. 1 and then remove the Top Cover (B).
- b. Remove 3 screws (②) in Fig. 1 and then remove the Top Cover (A).

CDX-1120-CD-5050

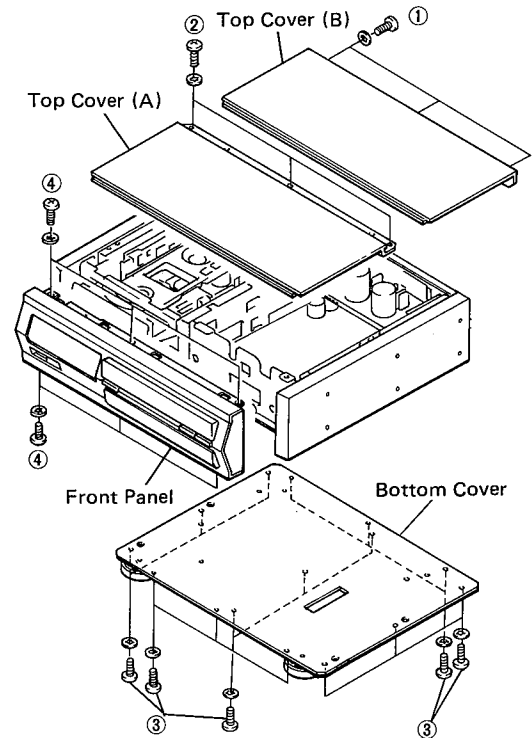
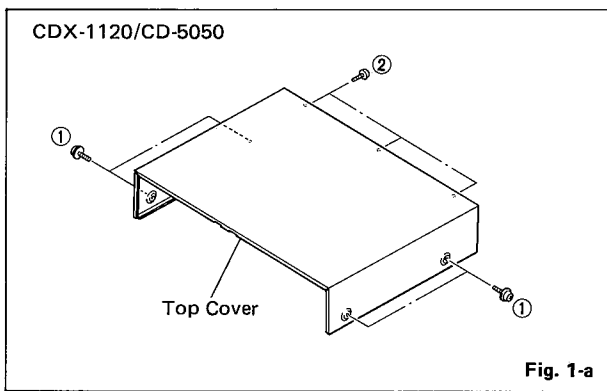
- a. Remove 4 screws (①) and 3 screws (②) in Fig. 1-a and then remove the Top Cover.

2. Removal of Bottom Cover

- a. Remove 15 screws (③) in Fig. 1.

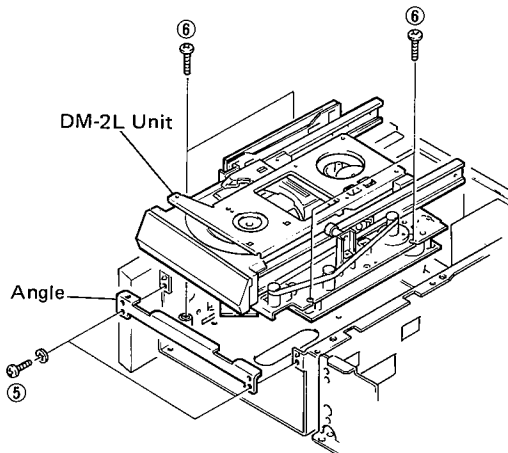
3. Removal of Front Panel

- a. Remove 6 screws (④) in Fig. 1.



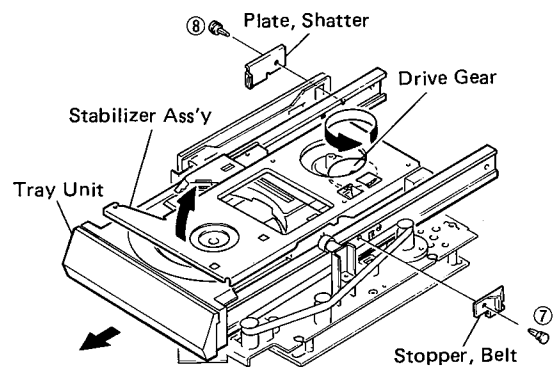
4. Removal of DM-2L Unit

- a. Remove 2 screws (⑤) in Fig. 2 and then remove the angle.
- b. Remove 4 screws (⑥) in Fig. 2, and lift the DM-2L Unit gradually.



5. Removal of Tray Unit

- a. Rotate the Drive Gear, and the Stabilizer Ass'y is pushed up.
- b. Remove plastic rivet (⑦) in Fig. 3 and then remove the Stopper, Belt.
- c. Remove plastic rivet (⑧) in Fig. 3 and then remove the Plate, Shatter.
- d. Take out the Tray Unit.



ADJUSTMENTS

Necessary items

Measuring instruments

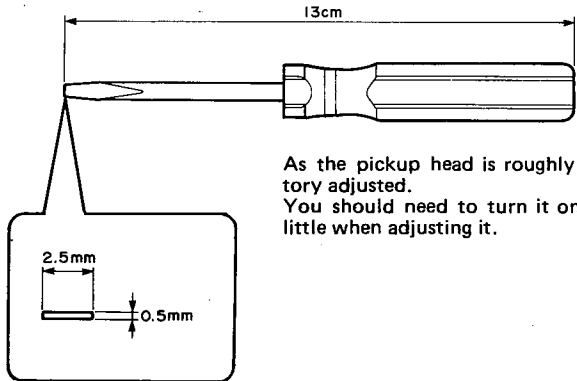
- Oscilloscope : x 2
(At least one shall have a bandwidth of 50 MHz or more)
- Audio frequency oscillator (A.F. OSC): x 1
- Laser power meter : x 1
[LEADER LPM-8000 (P/No. TX915140) or equivalent]
- AC voltmeter (ACVM) : x 2
(One dual channel or two single channel meters)
- DC voltmeter (DCVM) : x 1
- Frequency counter (FC) : x 1

Jigs

- Test disc : x 1
(YEDS-18 P/No. TX911730, or YEDS-7 P/No. TX911320)
- Filter (P/No. TX913120) : x 1 (See Fig. A)
- Shorting cord : x 1 (Step 3)

Tools

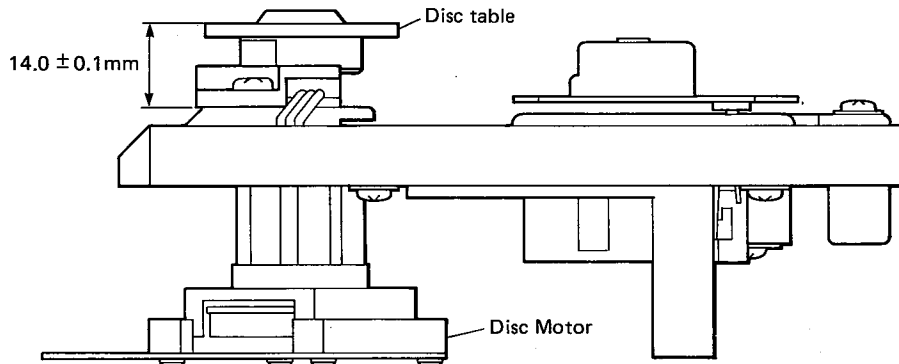
- ⊕ Screwdriver : x 1
(For Pre-Set Potentiometer adjustment)
- Core screwdriver : x 1 (Step 3)
- ⊖ Special Screwdriver : x 1 (Step 4)
(For Diffraction Grating adjustment)



As the pickup head is roughly factory adjusted. You should need to turn it only a little when adjusting it.

Confirmation of disc table height

- a. Check that the disc table height is as specified below.



Adjustment jig (with internal filter)

Connect the filter in Fig. A before measurement.

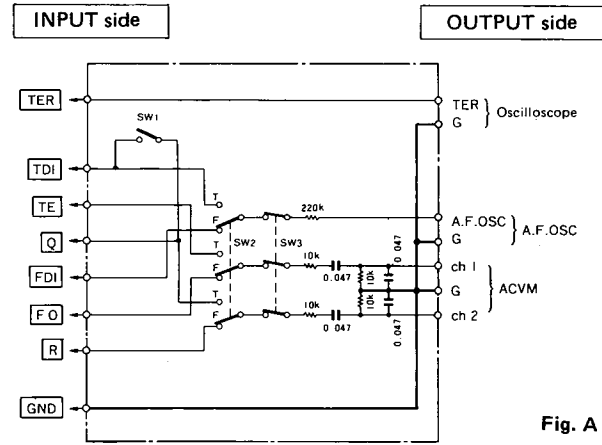


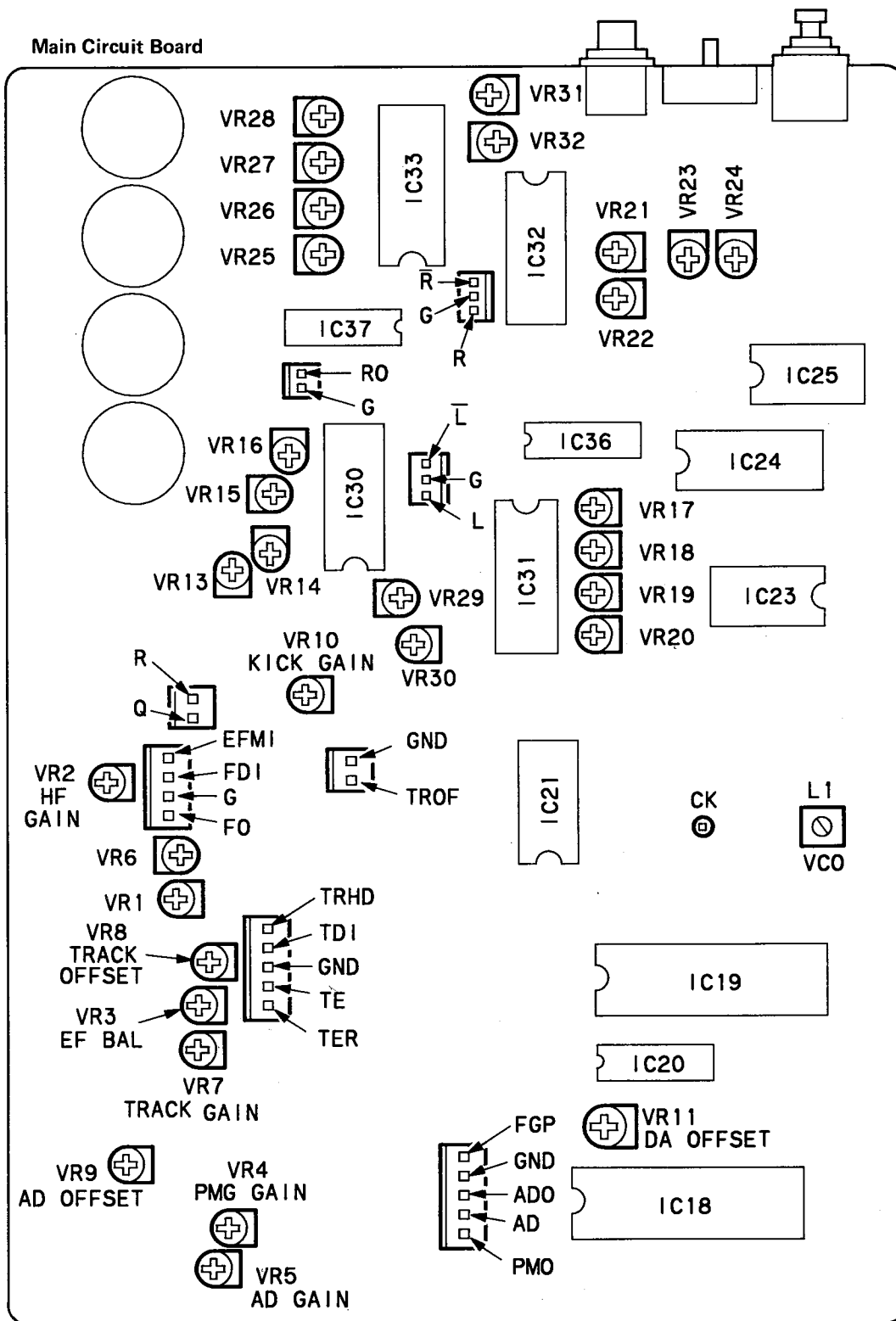
Fig. A

- SW1: For diffraction grating and EF balance adjustments
- SW2: FOCUS gain and TRACKING gain switching
- SW3: Filter ON/OFF switch

Precautions or Special Notes

1. Measure the output level at the output terminal of the AF oscillator.
2. The unit should always be in a horizontal position while performing adjustments.

●TEST POINTS



CDX-2020/1120/CD-5050

★ BEFORE ADJUSTMENTS

① Setting to TEST MODE

On the power switch while pressing the CANCEL key.

● Description of TEST MODE keys

- OPEN/CLOSE : Focus start
- PLAY : Play
- STOP : Stop, Focus OFF
- ◀◀ : -10 Kick
- ▶▶ : +10 Kick
- ◀◀ : -1 Kick
- ▶▶ : +1 Kick
- REPEAT : Feed forward
- A ↔ B : Feed return
- "2" : Tracking servo OFF
(Fixed toward inner circumference at the feed center)
- "0" : DAC output for feed
- "1" : DAC output for feed
- "9" : TEST MODE converted into NORMAL MODE

② Adjustments

Carry out following adjustments in numbered order.

1. Confirmation of laser output
2. Confirmation of focus actuator operation
3. Adjustment of VCO
4. Adjustment of diffraction grating
5. Adjustment of jitter and focus offset
6. Adjustment of EF balance
7. Adjustment of HF level
8. Adjustment of focus gain
9. Adjustment of tracking gain
10. Adjustment of tracking offset
11. Confirmation of jitter
12. Adjustment of kick gain
13. Confirmation of search mode
14. Adjustment of AD offset
15. Adjustment of DA offset
16. Adjustment of PM gain
17. Adjustment of AD gain
18. Confirmation of FG pulse
19. Adjustment of DAC distortion
20. Adjustment of DAC offset

Confirmation of Laser Output (Step 1)

- ① Do not load the test disc.
- ② Remove the tray unit.
- ③ Apply the laser power meter's sensor to the pick-up head as shown in Fig. B.
- ④ Set to the TEST MODE.
- ⑤ Press OPEN/CLOSE key. (Focus search mode)
- ⑥ Measure the laser output during the 5 seconds of FOCUS search mode.

Rating: Laser output = 0.1mW to 0.5mW

(WAVE → Diode
RANGE → 0.3mW or 1mW)

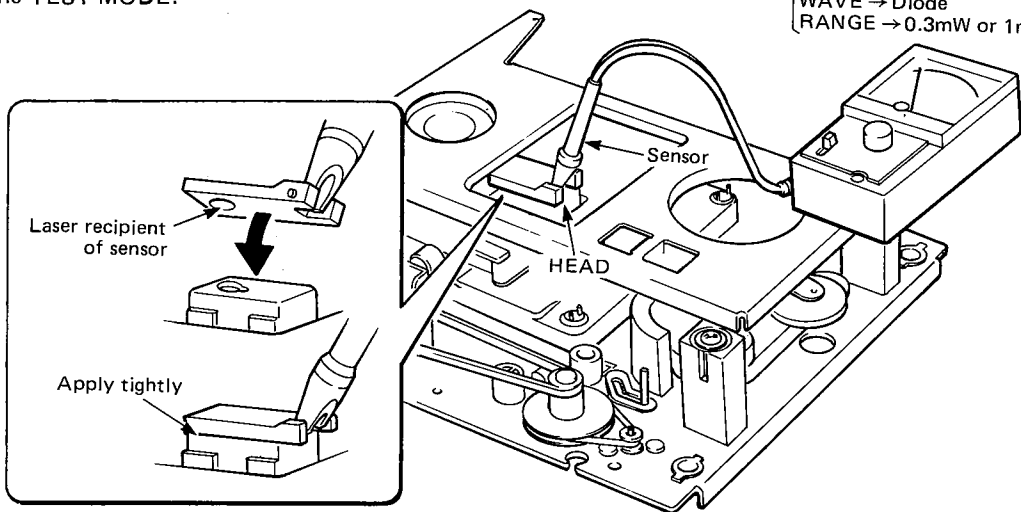


Fig. B

Precautions in handling PICKUP HEAD

- (1) When connecting the pickup head, be sure to ground with soldering iron.
- (2) Since laser light is near-infrared, visual confirmation is difficult. While light is emitted, for safety make sure your eyes are at least 30 cm (12 inches) away from the objective lens.
- (3) Do not disassemble it.
- (4) Do not drop or apply shock to it.
- (5) Do not leave it under high temperature or humidity.
- (6) Do not touch the objective lens. Should there be dust on the lens, clean using a blower for cameras.

Confirmation of Focus Actuator Operation (Step 2)

Oscilloscope (1) setting

- DC coupling
- 1V/div range (Vertical)
(0.1V/div when 10:1 probe is used)
- 0.5 sec/div or 1 msec/div time (Horizontal)

- ① Do not load the test disc.
- ② Connect the oscilloscope (1) to [R] terminal.
- ③ Set to the TEST MODE.
- ④ Press OPEN/CLOSE key. (Focus search mode)
- ⑤ Confirm that the waveform is as shown in Fig. C.
- ⑥ Confirm that the pickup head's objective lens moves smoothly from the lowest point to the highest point.

Adjustment of VCO (Step 3)

- ① Connect the shorting cord and frequency counter as shown in Fig. D. (Short-circuit between EFMI and GND).
- * Be sure to use the probe (10:1 for oscilloscope) for input to the frequency counter.
- ② Do not load the test disc.
- ③ The POWER switch is turned ON.
- ④ Wait for longer than a minute after the POWER switch is turned ON and while observing the frequency counter indication, adjust L1 core so that it satisfies the rating.
Rating: $F_{VCO} = 4.3218 \text{ MHz} \pm 0.025 \text{ MHz}$

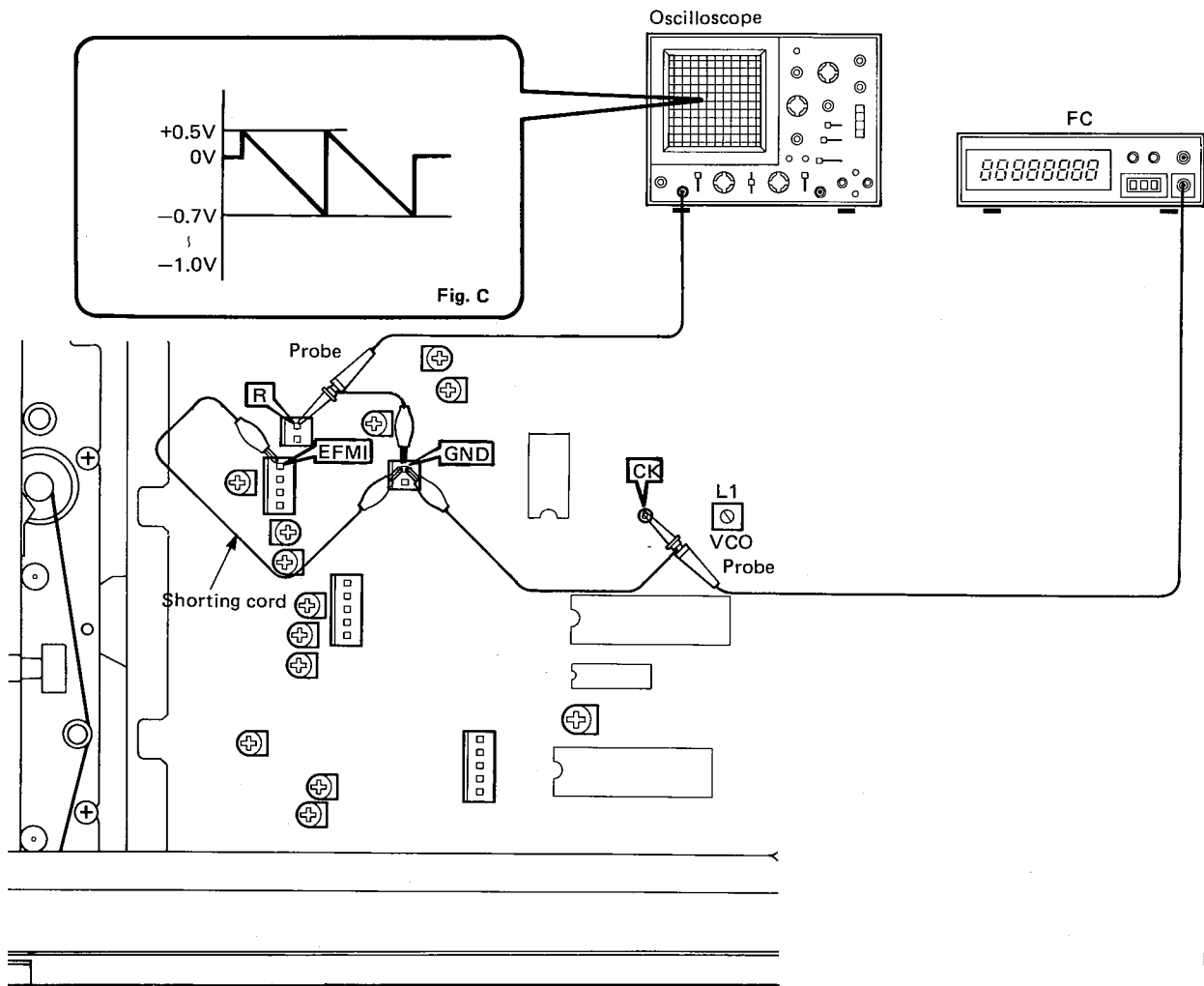
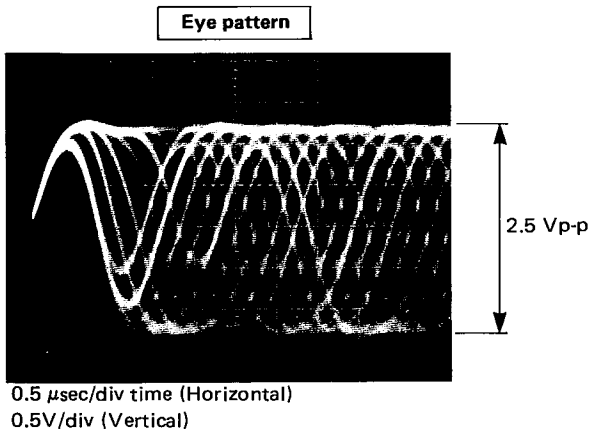


Fig. D

Oscilloscope (2)



Waveforms 3T – 11T.

This portion is referred to as the eye pattern.

The abnormal eye pattern has less distinct lines and smaller amplitude than that of a good waveform.

<p>Good waveform</p>	<p>Abnormal waveform</p>
----------------------	--------------------------

Adjust so that a good waveform is obtained.

Adjustment of Diffraction Grating (Step 4)

- * After replacing the head with a new service part, check E_{TER} .
- If check result is $E_{TER} \geq 200mVp-p$, adjustment is NOT necessary.
- * This adjustment requires use of 2 oscilloscopes.

Oscilloscope (1) setting conditions

- DC coupling
- 0.1V/div range (Vertical)
(10mV/div when 10:1 probe is used)
- 20 msec/div time (Horizontal)

Oscilloscope (2) setting conditions

- AC coupling
- 0.5V/div range (Vertical)
(50 mV/div when 10:1 probe is used)
- 0.2 ~ 0.5 μsec/div time (Horizontal)

* Oscilloscope (2), should have frequency response of 50 MHz or greater.

- ① Connect the filter and measuring instruments as shown in Fig. E.
 - 1) Connect the oscilloscope (1) to **TER** terminal.
 - 2) Connect the oscilloscope (2) to **EFMI** terminal.
- ② Load the test disc.
- ③ Set to the TEST MODE.
- ④ Press the OPEN/CLOSE key.
- ⑤ Wait for 2 seconds before pressing the PLAY key.
- ⑥ Press the "2" key. (TRACKING SERVO → OFF)
- ⑦ Observe the waveform on the oscilloscope (1).

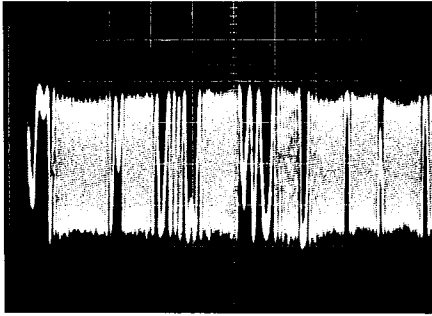
- ⑧ Using the slotted screwdriver (See P. 7) adjust diffraction grating for maximum signal amplitude E_{TER} at oscilloscope (1).
Rating: $E_{TER} \geq 200 mVp-p$
 - * When disc has stopped rotating, go back to ④ again and make adjustment.
 - * Adjust at the inner circumference of the disc.
- ⑨ Press the "9" key. (TRACKING SERVO ON)
- ⑩ Confirm that the **EFMI** signal (eye-pattern) appears on the oscilloscope (2).
 - * Set to the point where **TER** signal amplitude is maximum and **EFMI** signal waveform can be observed finely and clearly.

CDX-2020/1120/CD-5050

Oscilloscope (1)

Correct

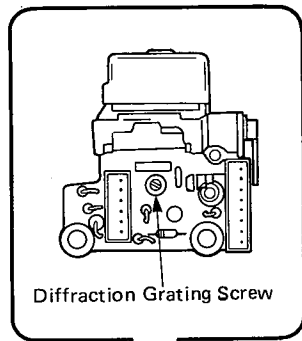
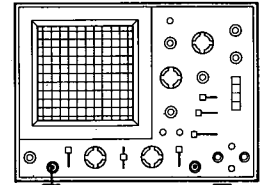
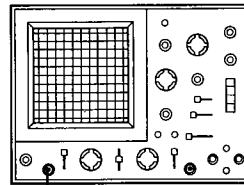
"DC 0V" ▶



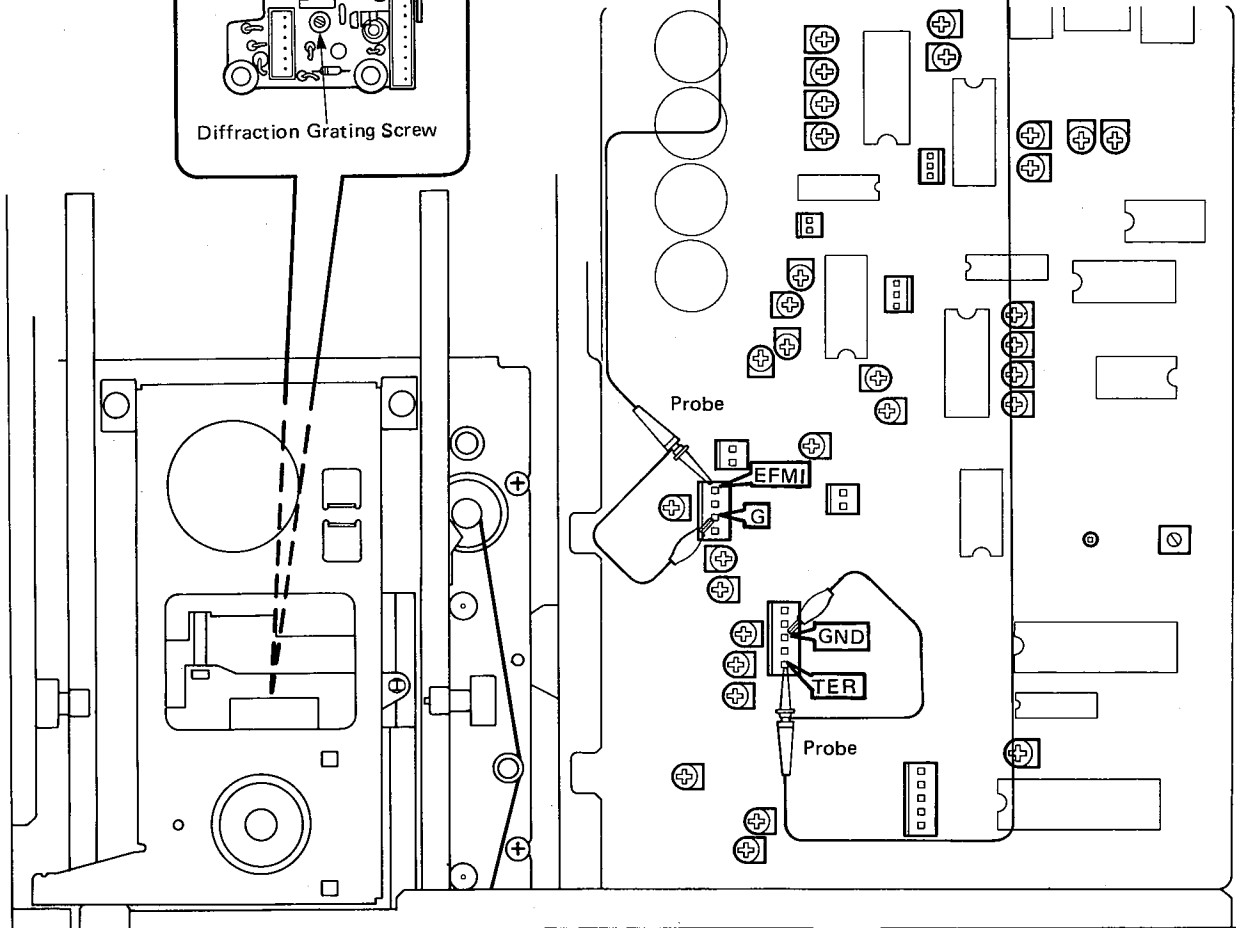
TER signal amplitude in this state is 400mVp-p.

Oscilloscope (2)

Oscilloscope (1)



Diffraction Grating Screw



CDX-2020/1120/
CD-5050

Fig. E

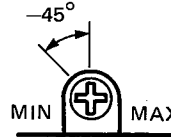
Adjustment of Jitter and Focus Offset (Step 5)

Oscilloscope (2) Settings

- AC coupling
- 0.5 V/div range (Vertical)
(50 mV/div when 10:1 probe is used)
- 0.2 ~ 0.5 μ sec/div time (Horizontal)

- ① Remove the tray unit.
- ② Connect the oscilloscope (2) to **EFMI** terminal.
- ③ Load the test disc.
- ④ The POWER switch is turned ON.
- ⑤ Press the PLAY key.
- ⑥ Adjust the head base tilting screw so that the **EFMI** signal (eye-pattern) becomes distinct and clear.
 - * Adjust at the center of the disc.

- ⑦ Adjust VR1 so that the **EFMI** signal (eye-pattern) becomes clear.
 - * Be sure to adjust at the center of the disc.
 - * Adjust VR1 within the -45° range.



If the best adjusted position is not available within 0° to -45° , turn VR1 back to the center position and turn it toward MIN again to obtain the best possible EFMI signal within that range.

- ⑧ After adjustment, check to make sure that there is nothing abnormal in FOCUS search operation.

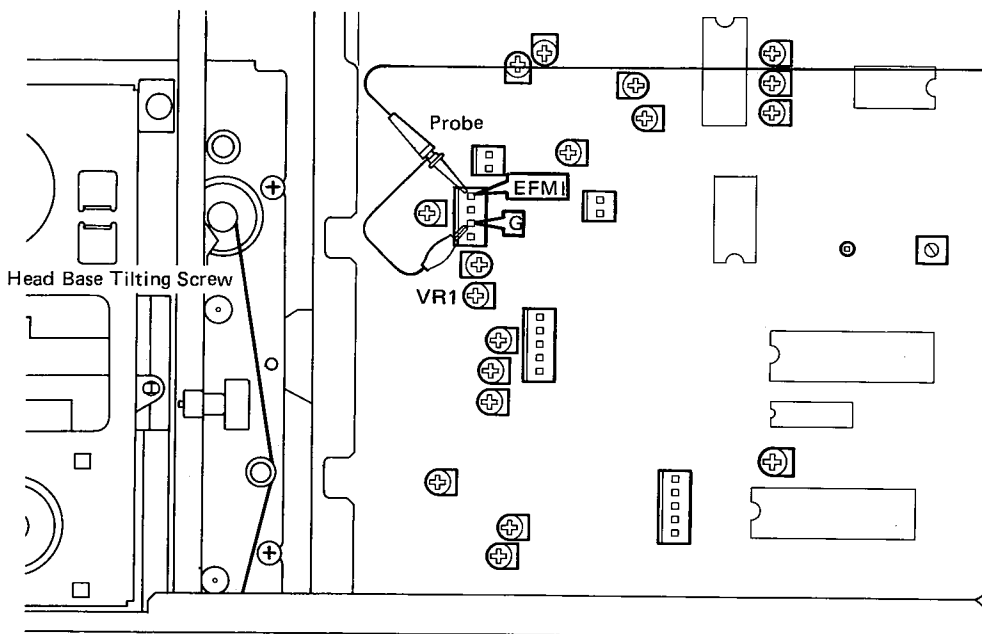
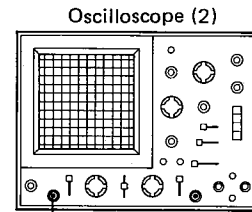
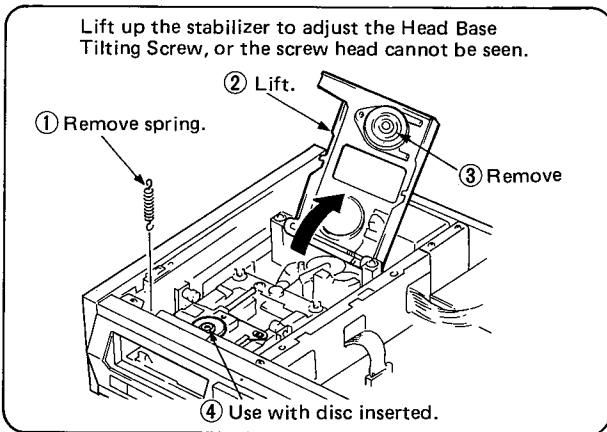


Fig. F

Adjustment of EF Balance (Step 6)

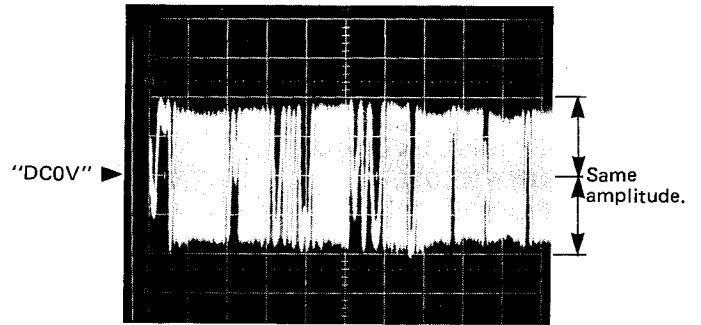
Oscilloscope (1) settings

- DC coupling
- 0.1 V/div range (Vertical)
(10 mV/div when 10:1 probe is used)
- 20 msec/div time (Horizontal)

- ① Connect an oscilloscope (1) to the **TER** terminal.
- ② Load the test disc.
- ③ Set to the TEST MODE.
- ④ Press the OPEN/CLOSE key.
- ⑤ Press the PLAY key.
- ⑥ Press the "2" key. (TRACKING SERVO → OFF)
- ⑦ Observe the waveform on the oscilloscope (1).
- ⑧ Adjust VR3 so that the amplitude of the **TER** signal becomes equal above and below DC 0V position.
 - * Adjust at the inner circumference of the disc.

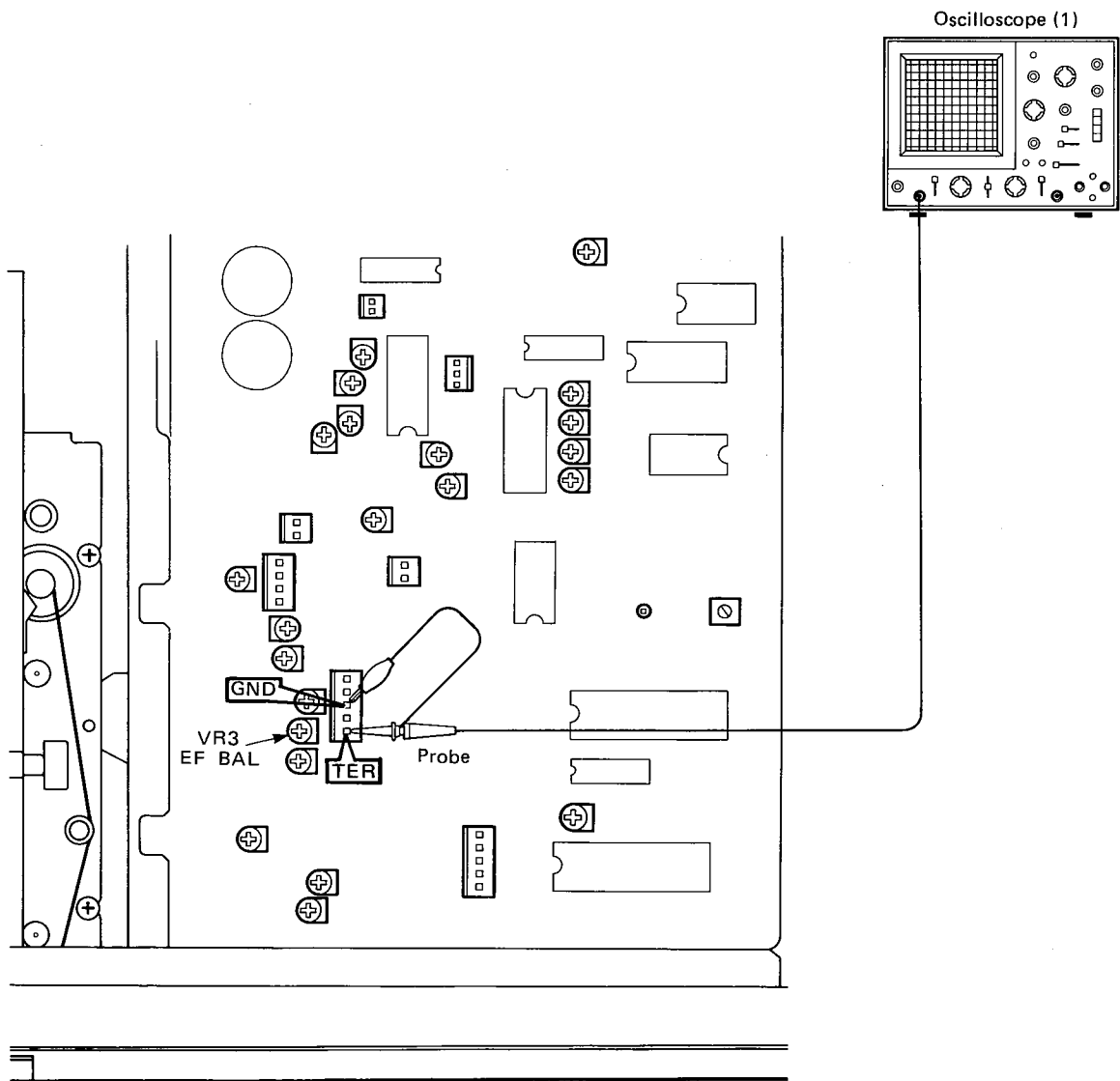
Correct

Rating DC offset → Less than ± 10mV.



This shows DC 0V state.

$E_{p-p} \geq 200mV$



CDX-2020/1120/CD-5050

Fig. G

Adjustment of HF Level (Step 7)

Oscilloscope (2) setting

- AC coupling
- 0.5 V/div range (Vertical)
(50 mV/div when 10:1 probe is used)
- 0.2 ~ 0.5 μ sec/div time (Horizontal)

- ① Connect the oscilloscope (2) to the **EFMI** terminal.
- ② Load the test disc.
- ③ The POWER switch is turned ON.
- ④ Press the OPEN/CLOSE key.
- ⑤ Press the PLAY key.
- ⑥ Adjust VR2 so that the **EFMI** level becomes 2.5 Vp-p.
* Adjust at the center of the disc.

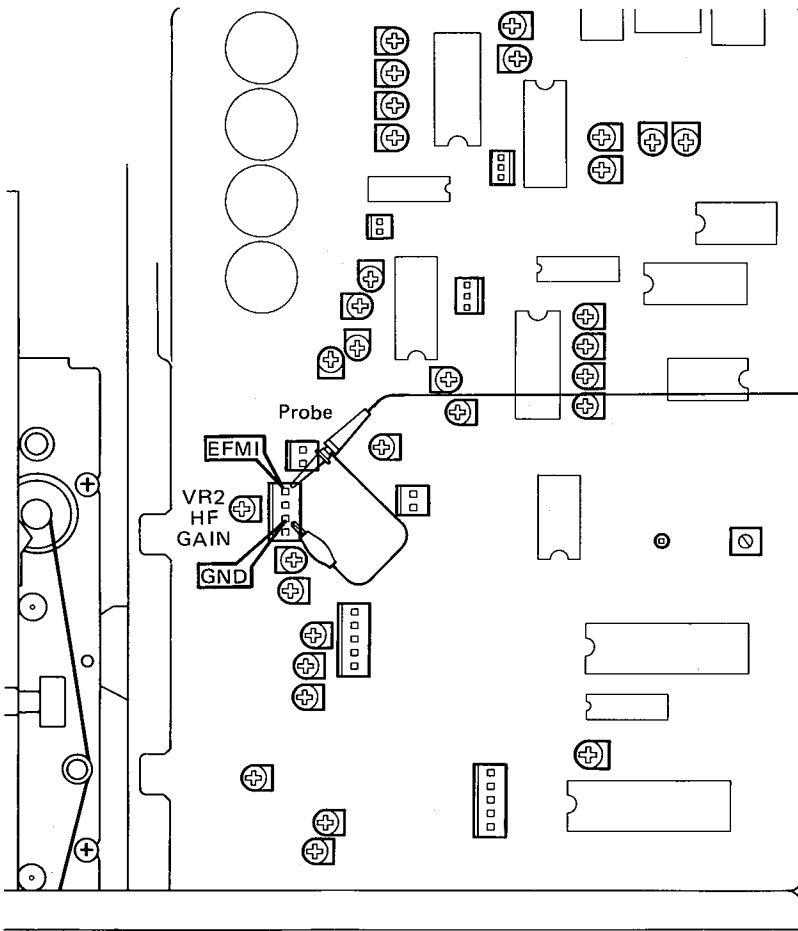
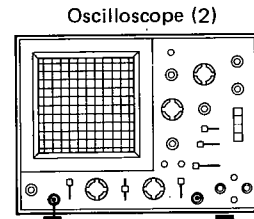


Fig. H

Adjustment of Focus Gain (Step 8)

* This adjustment requires two single channel AC voltmeters or one dual channel AC voltmeter.

- ① Connect the filter and measuring instruments as shown in Fig. 1.
Apply an 800 Hz, 4.5 Vrms signal from the AF oscillator to the [FDI] terminal via the resistor (220 kΩ).
- ② Set SW3 in the filter to OFF.
- ③ Set SW2 in the filter to F (FOCUS).
- ④ Load the test disc.
- ⑤ The POWER switch is turned ON.
- ⑥ Press the PLAY key.
- ⑦ Set SW3 to ON.

- ⑧ Read the indications of the AC voltmeters (CH1: E_{FO} , CH2: E_R).
- ⑨ Adjust VR6 so that AC voltmeter indications satisfy the rating.

Rating: $E_{FO} - E_R = -5 \text{ dB}$

0 dBV = 1V

Reference $E_{FO} = -26 \text{ dBV (50 mV)}$
 $E_R = -21 \text{ dBV (89 mV)}$

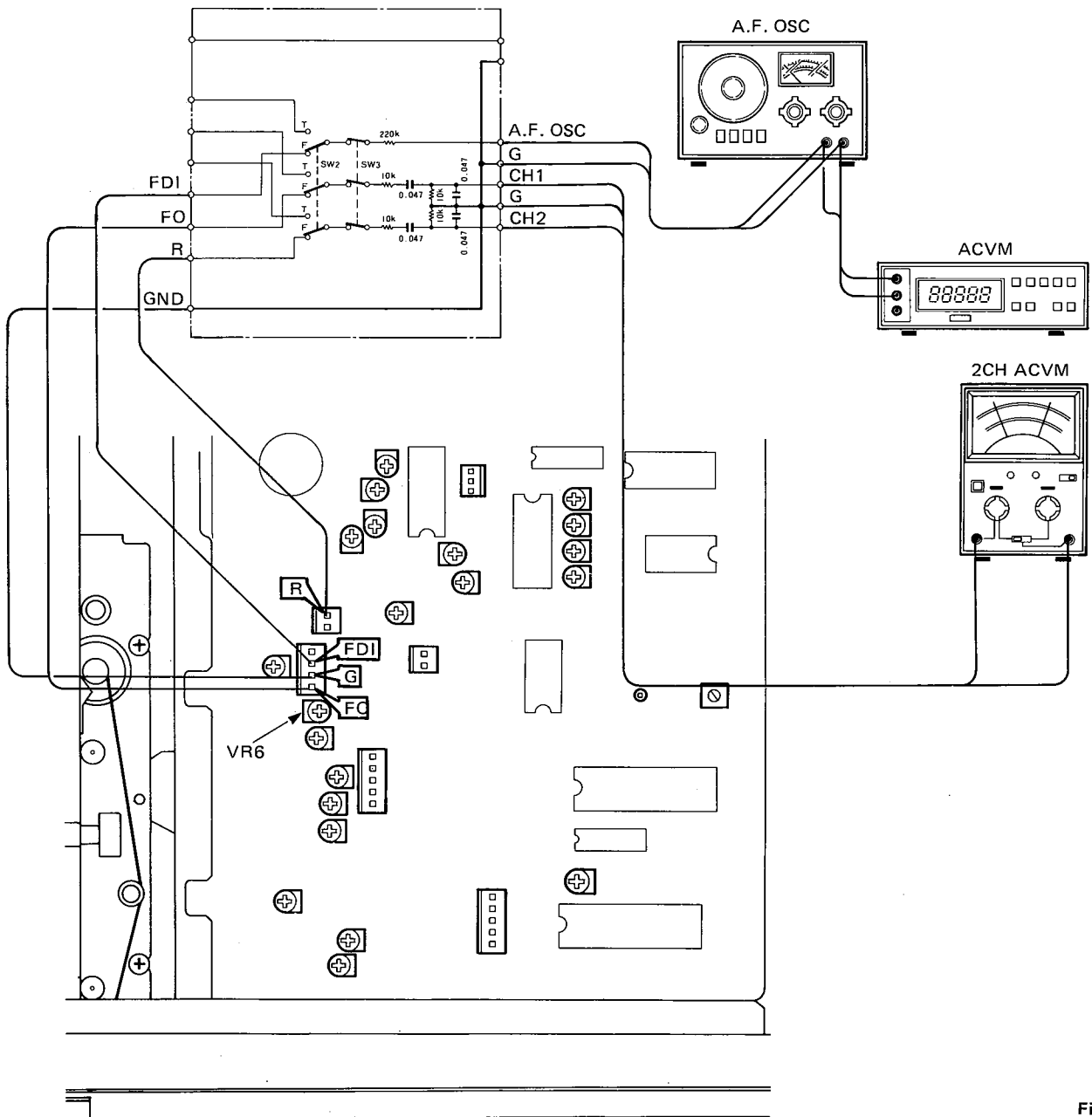


Fig. 1

Adjustment of Tracking Gain (Step 9)

* This adjustment requires two single channel AC voltmeters or one dual channel AC voltmeter.

- ① Connect the filter and measuring instruments as shown in Fig. J.
Apply an 800 Hz, 100 mVrms signal from the AF oscillator to the **TDI** terminal via the resistor (220 k Ω).
- ② Set SW3 in the filter to OFF.
- ③ Set SW2 in the filter to T (TRACKING).
- ④ Load the test disc.
- ⑤ The POWER switch is turned ON.
- ⑥ Press the PLAY key.

- ⑦ Set SW3 to ON.
- ⑧ Read the indications of the AC voltmeters (CH1: E_{TE} , CH2: E_Q).
- ⑨ Adjust VR7 so that AC voltmeter indications satisfy the rating.

Rating: $E_{TE} - E_Q = 20$ dB

0 dBV = 1V

Reference $E_{TE} = -10$ dBV (316 mV)
 $E_Q = -30$ dBV (32 mV)

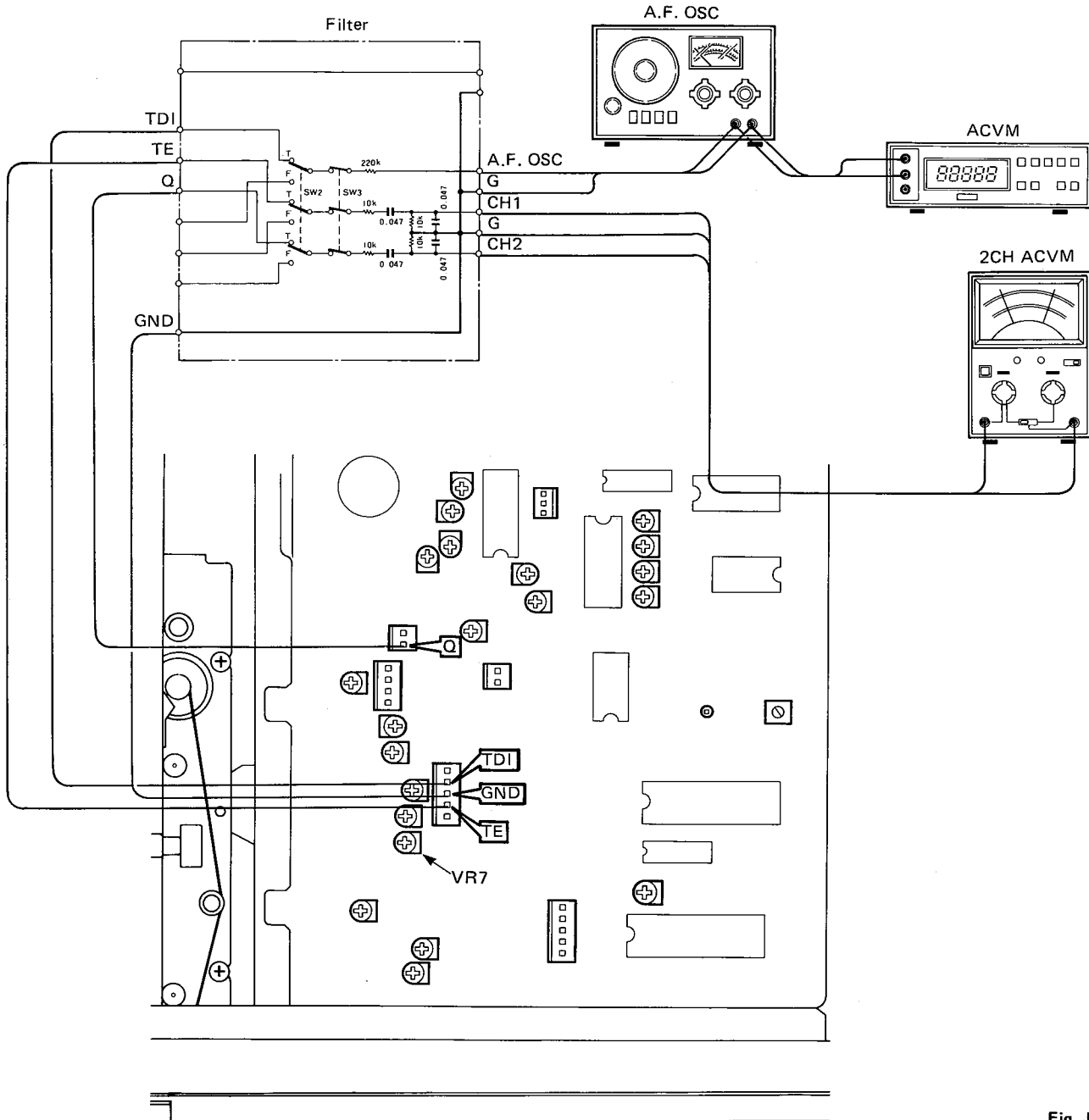


Fig. J

Adjustment of Tracking Offset (Step 10)

- ① Connect the DC voltmeter to the **Q** terminal.
- ② Short between the **TROF** and ground.
- ③ The POWER switch is turned ON.
- ④ Press the STOP key.
- ⑤ Adjust VR8 so that the DC voltmeters indication satisfies the rating.

Rating: $E_Q = 0V \pm 25\text{ mV}$

Confirmation of Jitter (Step 11)

- ① Confirm the jitter rating as in ⑥ of Step 5.
- ② When the tilting screw has been readjusted, go back to Step 5 and carry out adjustments all over from there.

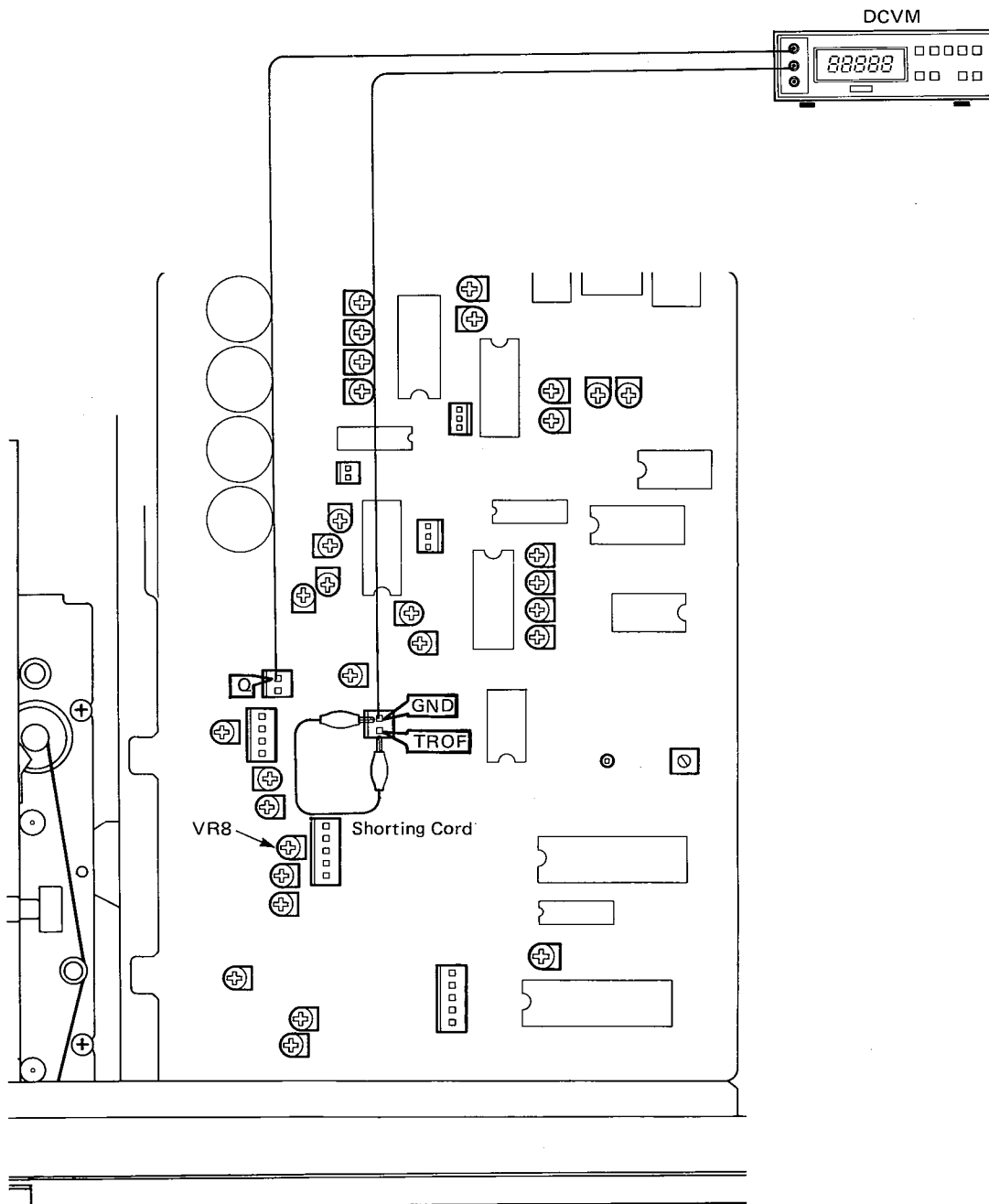


Fig. K

Adjustment of Kick Gain (Step 12)

Oscilloscope (1) (2-ch oscilloscope) settings

- DC coupling
- CH1 → **TER** terminal: 0.1 V/div (Vertical)
(10 mV/div when 10:1 probe is used)
- CH2 → **TRHD** terminal: 5 V/div (Vertical)
(0.5 V/div when 10:1 probe is used)
- TRIGGER MODE: 2 CH
- 0.2 msec/div time (Horizontal)

- ③ The POWER switch is turned ON.
- ④ Press the PLAY key.
- ⑤ Press the FF mode key (**▶▶**) for 3 seconds and check the waveform.
- ⑥ Adjust VR10 so that the **TER** signal cycle becomes 1.5 ± 0.5 while the **TRHD** signal level is high.
* Adjust at the inner circumference of the disc.
- ⑦ Confirm that in the Reverse mode, the **TER** signal cycle satisfies the rating given in 3 but in the reverse phase.

- ① Connect the filter and measuring instruments as shown in Fig. L.
- ② Load the test disc.

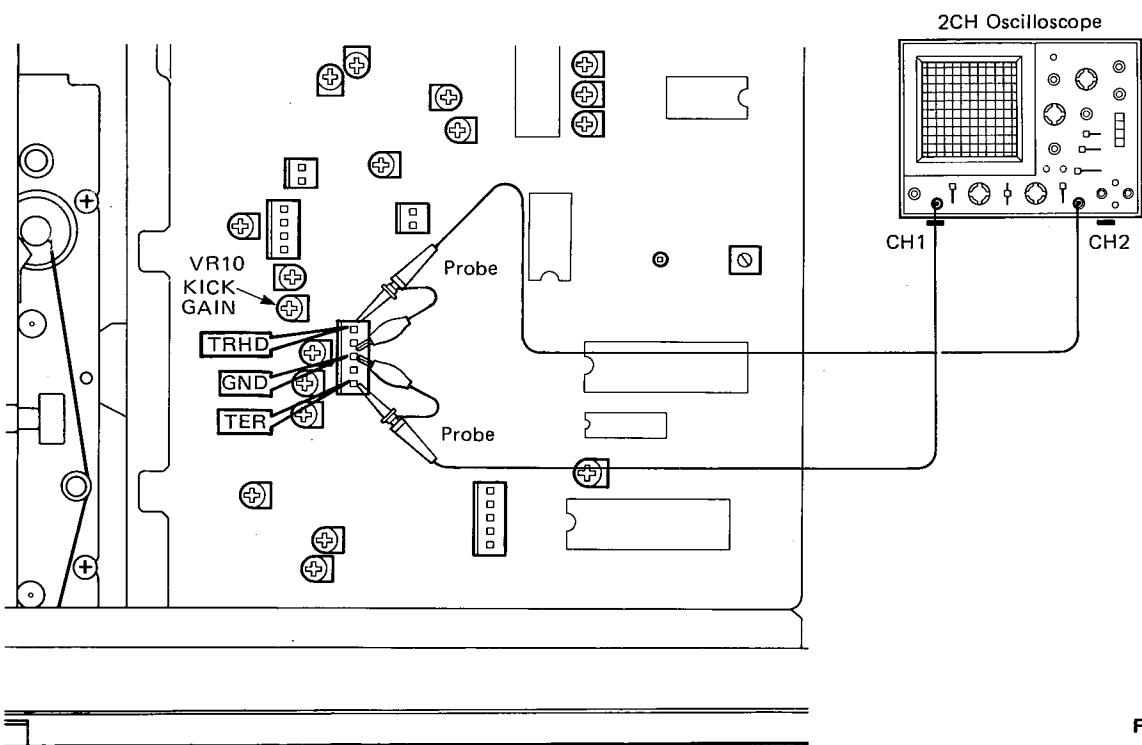
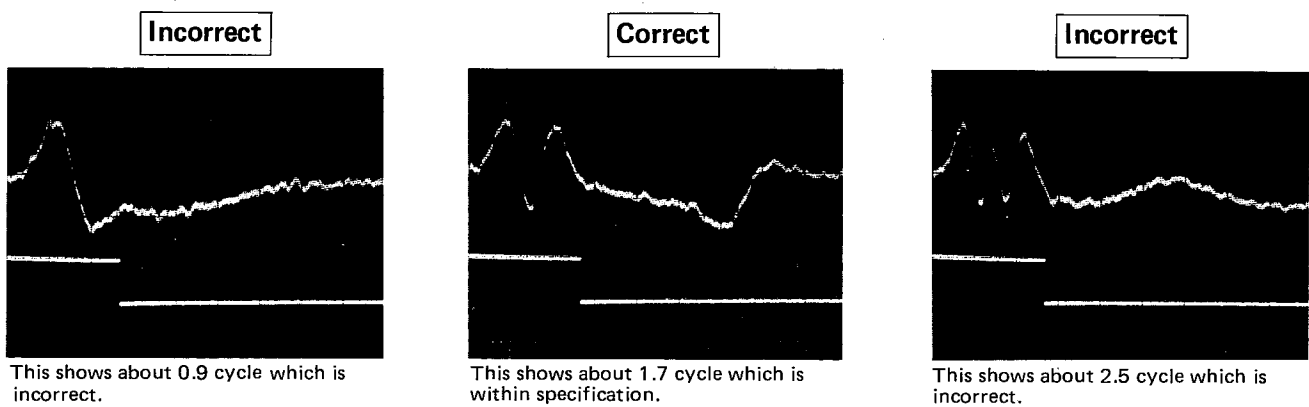


Fig. L

CDX-2020/1120/CD-5050

Confirmation of Search Mode (Step 13)

- ① Load the test disc.
- ② Press the PLAY key.
- ③ Press the Fast Forward mode key (▶▶) and confirm that the displayed time advances smoothly.
- ④ The displayed time should advance accurately and smoothly in both Fast Forward (▶▶) and Reverse (◀◀) modes.

Adjustment of AD Offset (Step 14)

- ① Connect the DC voltmeter to the PMO terminal.
- ② Load the test disc.
- ③ Set to the TEST MODE.
- ④ Press the STOP key.
- ⑤ Press the "1" key.
- ⑥ Force the head fully to the outer edge by pushing it with finger and fix it there.
- ⑦ Adjust VR9 so that the specified rating is obtained.

$$\text{Rating: } E = 0V \begin{matrix} +0 \\ -100 \end{matrix} \text{ mV}$$

Adjustment of DA Offset (Step 15)

- ① Connect the DC voltmeter to AD terminal.
- ② Load the test disc.
- ③ Set to the TEST MODE.
- ④ Press the STOP key.
- ⑤ Press the "1" key.
- ⑥ Force the head fully to the outer edge by pushing it with finger and fix it there.
- ⑦ Adjust VR11 so that the specified rating is obtained.

$$\text{Rating: } E = 0V \begin{matrix} +0 \\ -10 \end{matrix} \text{ mV}$$

- ⑧ In the same way as in step 14, confirm the AD offset. If "SEC" on display is less than FB (for example FB, FC, Fd, FE, FF, is OK), perform the adjustment as described in step 14 again.

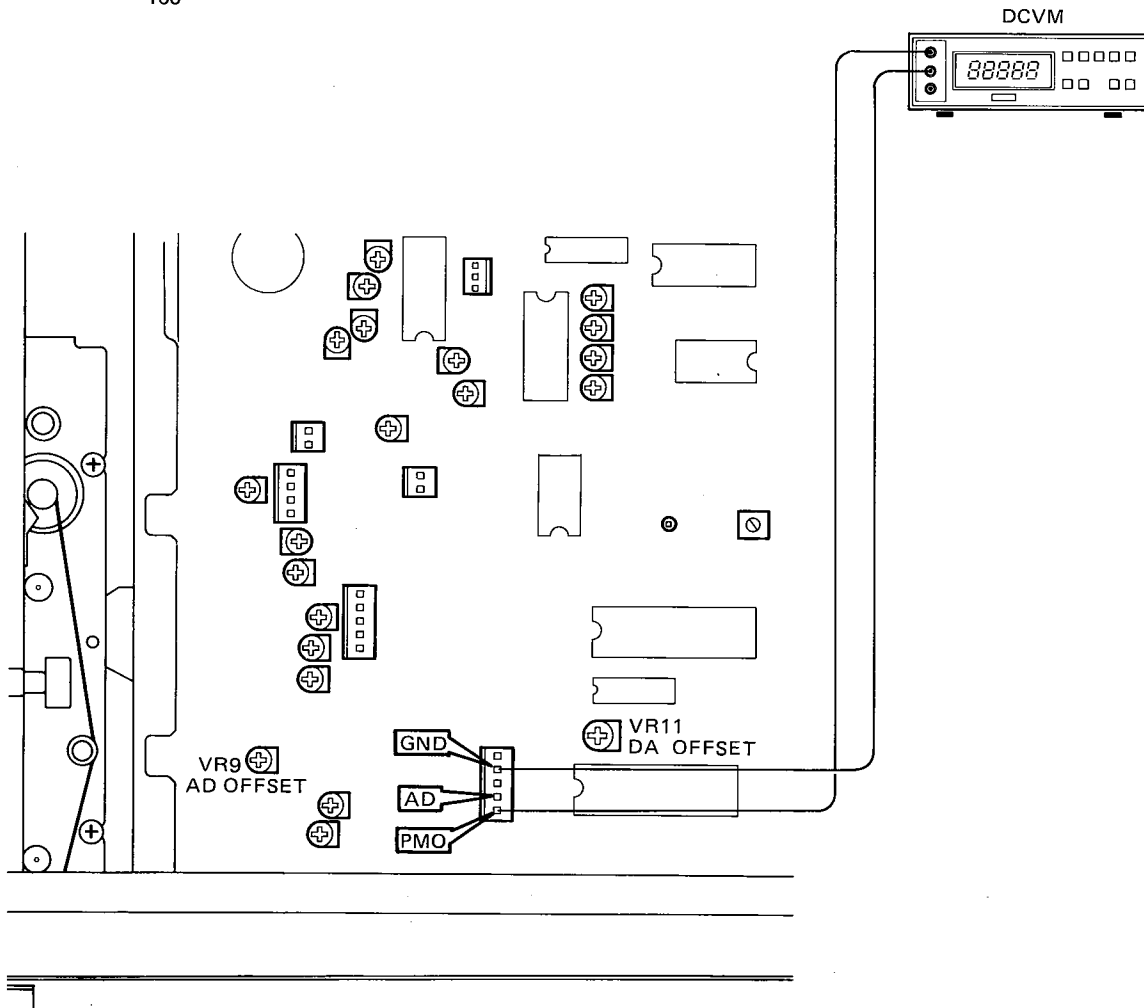


Fig. M

Adjustment of PM Gain (Step 16)

- ① Connect the DC voltmeter to the **ADO** terminal.
- ② Load the test disc.
- ③ Set to the TEST MODE.
- ④ Press the STOP key.
- ⑤ Press the "0" key.
- ⑥ Force the head fully to the inner edge by pushing it with finger and fix it there.
- ⑦ Adjust VR4 so that the specified rating is obtained.

Rating: $E = 0V \pm 100 \text{ mV}$

Adjustment of AD Gain (Step 17)

- ① Load the test disc.
- ② Set to the TEST MODE.
- ③ Carry out ④ to ⑥ of Step 16.
- ④ Adjust VR5 to the position where the "SEC" of the display changes from 01 to 00.

Confirmation of FG pulse (Step 18)

- ① Connect the oscilloscope and frequency counter to the **FGP** terminal.
- ② Load the test disc.
- ③ Set to the TEST MODE.
- ④ Press the OPEN/CLOSE key.
- ⑤ Press the PLAY key.
- ⑥ Check to ensure that the pulse (square wave) is generated. (varies depending on disc position)

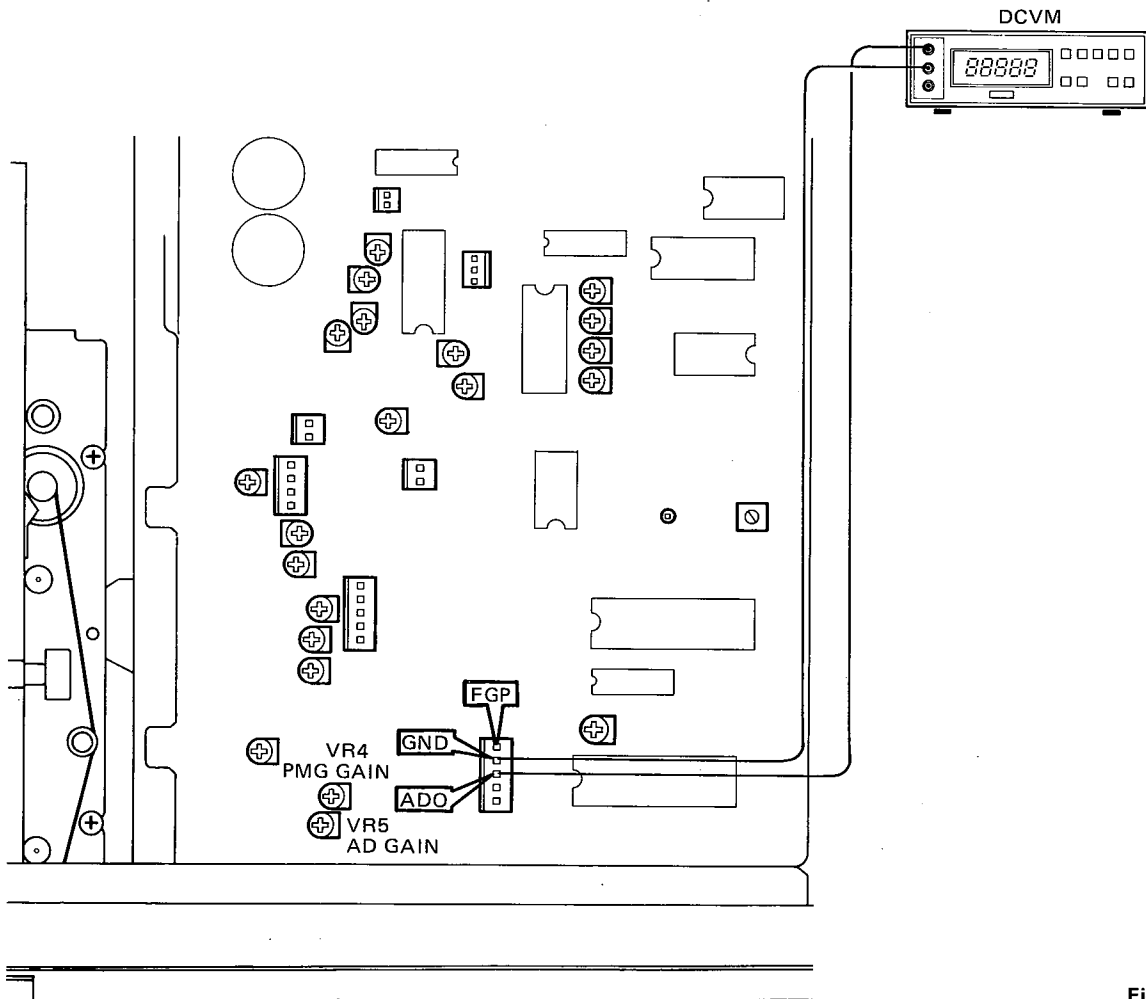
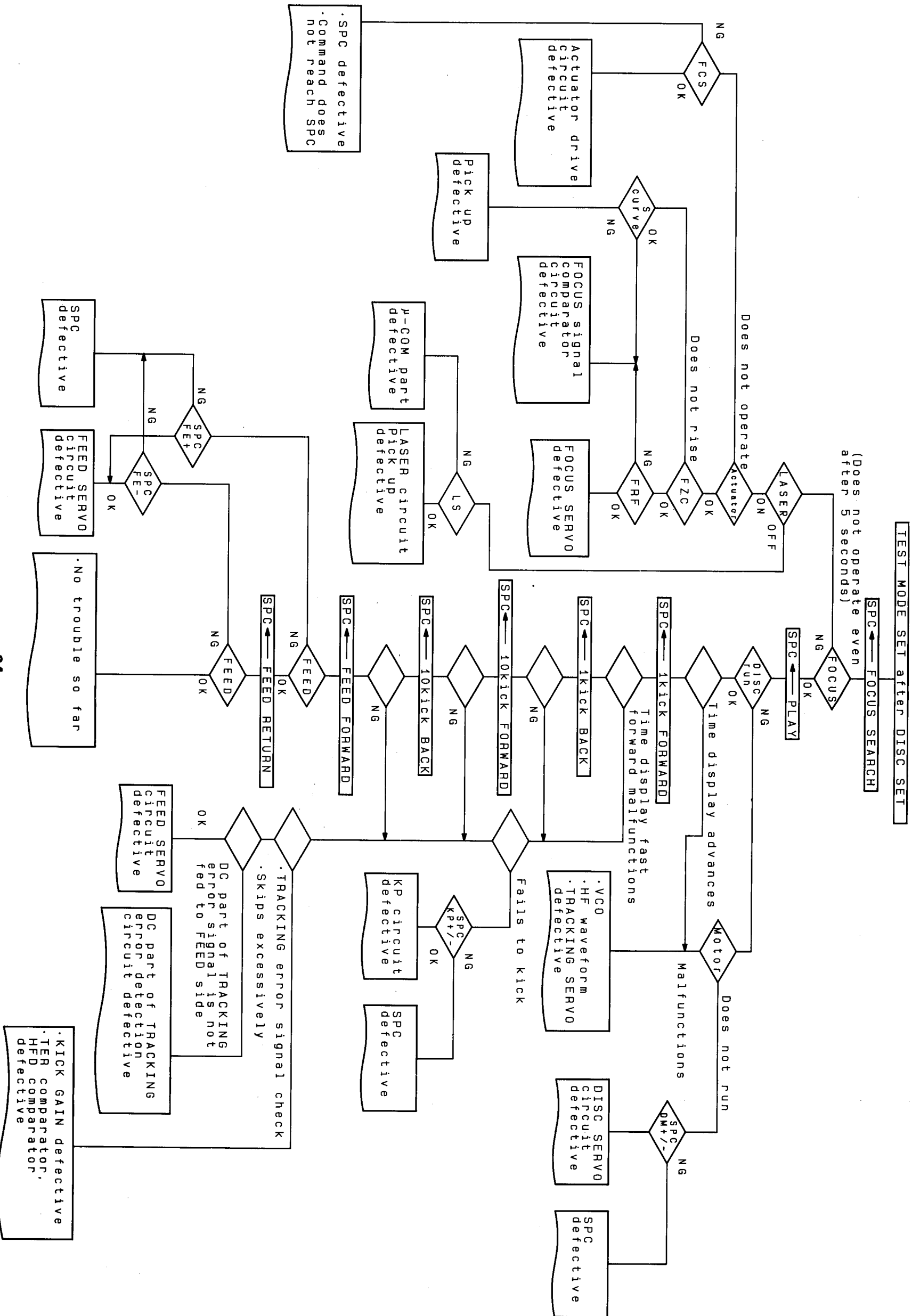


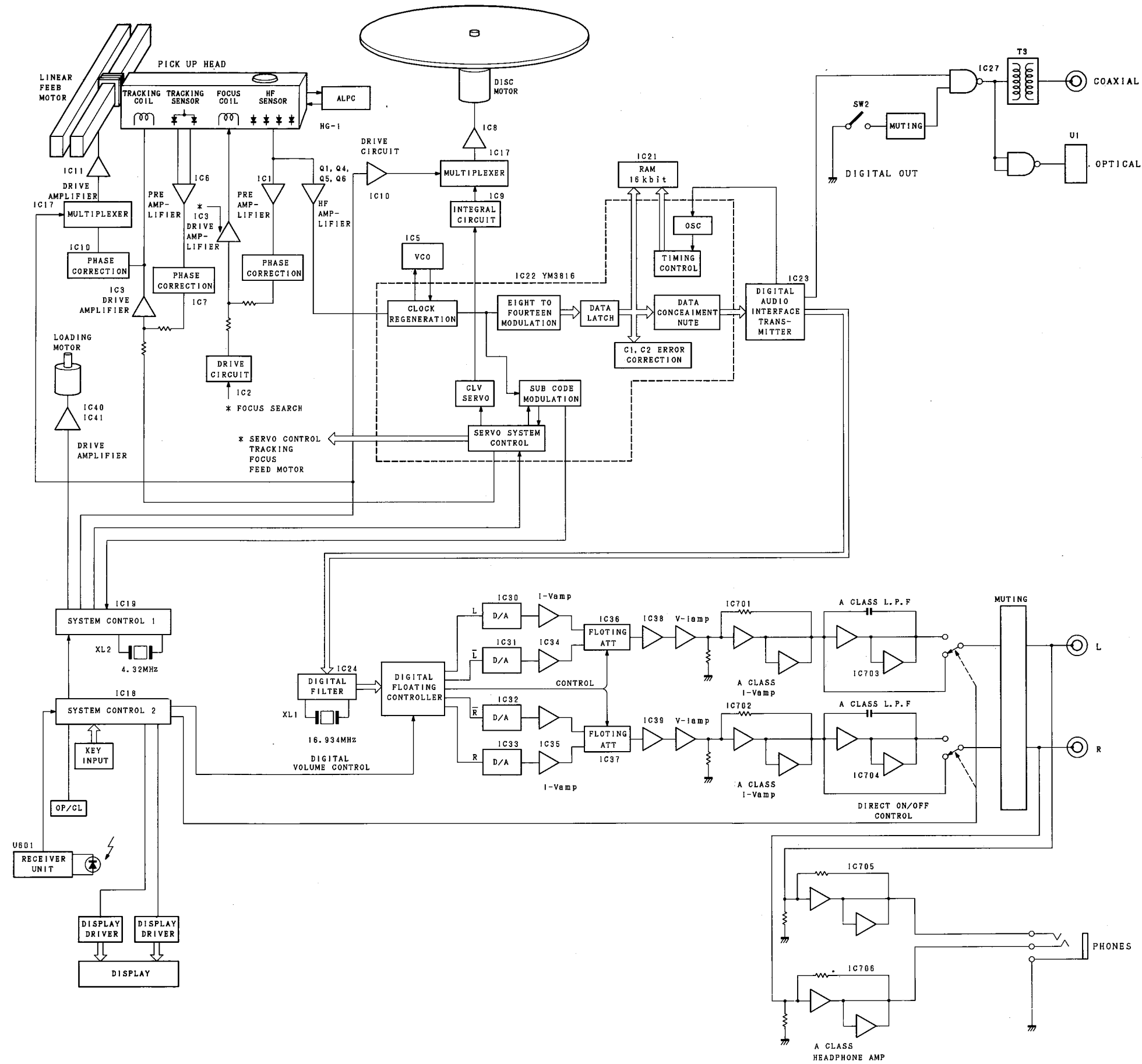
Fig. N

● Example of how to use TEST MODE for diagnosing a cause when LEAD IN or PLAY fails

* SPC-X represents that COMMAND X is transferred to SPC by pressing the key corresponding to SPC COMMAND X.



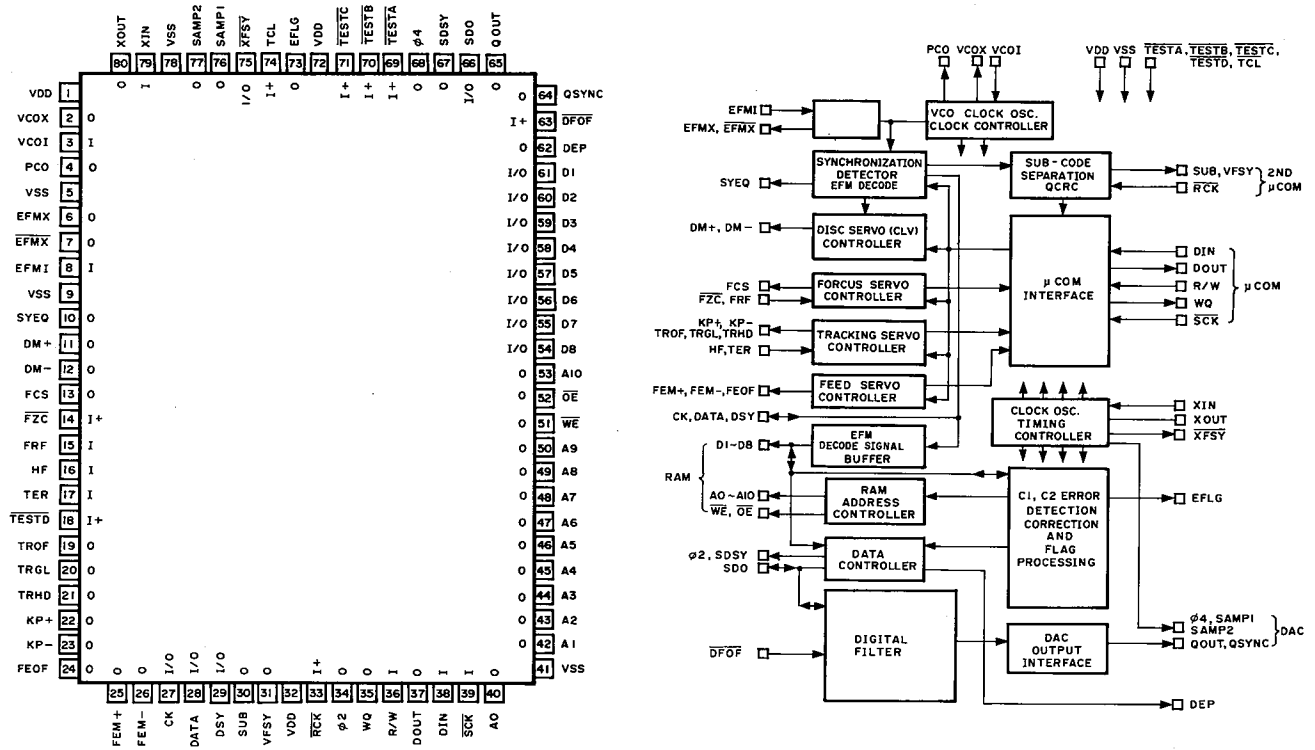
■ BLOCK DIAGRAM



IC DATA

IC22: YM3616
Signal Processor & Controller

YM3616 is a CMOS LSI for signal processing and servo control of the compact disc player. It executes such signal processing as demodulation of the EFM signal from the optical pick-up, detection and correction of the erroneous signal and digital filtering which helps to improve the sound quality, as well as such intelligent servo controlling as focus, disc, tracking and feeding.

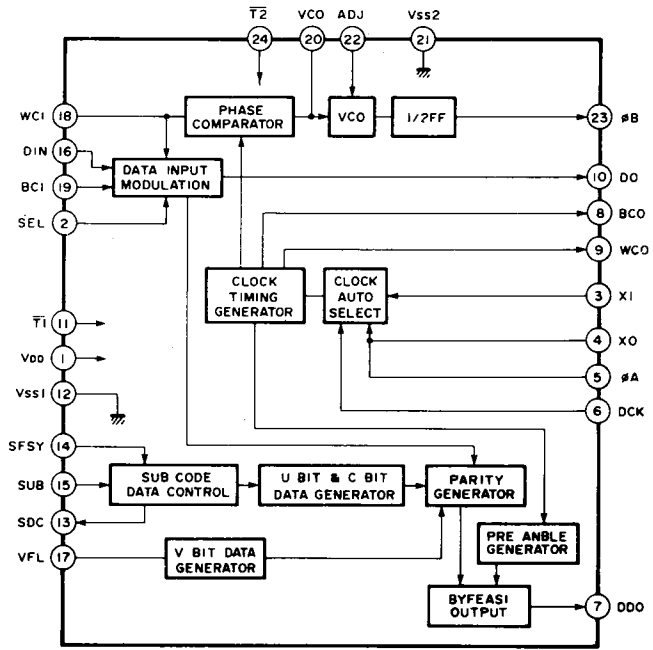
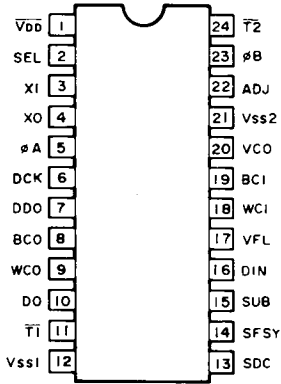


Pin No.	Pin Name	I/O	Function
1	VDD		Power Supply
2	VCOX	O	Clock Playback Circuit 4PCO
3	VCOI	I	
4	PCO	O	
5	VSS		GND
6	EFMX	O	EFM Signal External Circuit
7	EFMX	O	
8	EFMI	I	
9	VSS		GND
10	SYEQ	O	Synchronized Uniform Signal
11	N.C.		Not Use
12	DM	O	Disc Servo { LOW (0V): FORWARD OPEN (2.5V): STOP HIGH (5V): REVERSE
13	FCS	O	Focus Servo System Input
14	FZC	I	
15	FRF	I	
16	HF	I	Tracking Servo System Input
17	TER	I	
19	TROF	O	
20	TRGL	O	
21	TRHD	O	
22	KP	O	

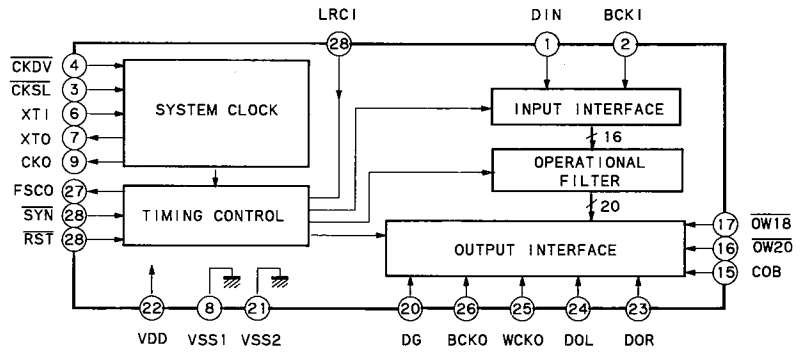
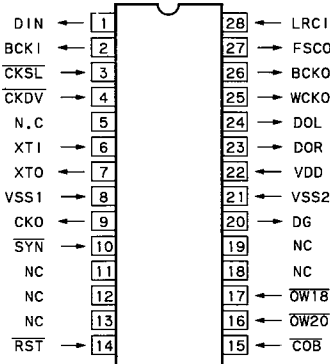
Pin No.	Pin Name	I/O	Function
23	CK		EFM Demodulated Signal Check Output (4.3218MHz, clock)
24	FEOF	O	
25	FEM+	O	
26	FEM-	O	Feed Servo System
23	CK	I/O	EFM Demodulated Signal Check Output (4.3218MHz clock)
27	DATA	I/O	
28	DSY	I/O	
29	SUB	O	Sub-code Output
30	VFSY	O	
31	RCK	I	
32	VDD		Power Supply
33	NC	I	Not Use
34	$\phi 4$		4.3218 MHz Clock
35	WQ	O	Q Code Output System Data Output to μ COM Data I/O Control Signal Clock for Data I/O Data I/O from μ COM
37	DOUT	O	
36	R/W	I	
39	SCK	I	
38	DIN	I	
41	VSS		
40	A0	O	
42	A1	O	RAM Connections
43	A2	O	
44	A3	O	
45	A4	O	
46	A5	O	
47	A6	O	
48	A7	O	
49	A8	O	
50	A9	O	
51	WE	O	
52	OE	O	
53	A10	O	
54	D8	I O	
55	D7	I O	
56	D6	I O	
57	D5	I O	
58	D4	I O	
59	D3	I O	
60	D2	I O	
61	D1	I O	
62	DEP	O	Deemphasis Signal
63	DTFLG	O	Data Error Signal
66	SDO	O	Digital Data Output LSB first/MSB first
67	SDSY	O	Data Control Circuit Board Serial Signal Output
68	$\phi 2$	O	
69	L/M	I	
71	TESTC	I	2.1659MHz Clock SB first (H)/MSB first (L) Switch for SDO Test Terminal
64	NC	O	DAC Interface
65	SDSYMD	O	
76	SAMPR	O	
77	SAMPL	O	Digrich Signal
34	$\phi 4$	O	4.3218MHz Clock
18	TESTD	I	Test Terminal
70	TESTB	I	
74	TCL	I	
72	VDD		Power Supply
73	EFLG	O	C1, C2 Error Correction Check Signal
75	XFSY	I/O	Synchronized Clock Signal
78	VSS		GND
79	XIN	I	Clock Oscillation
80	XOUT	O	

CDX-2020/1120/CD-5050

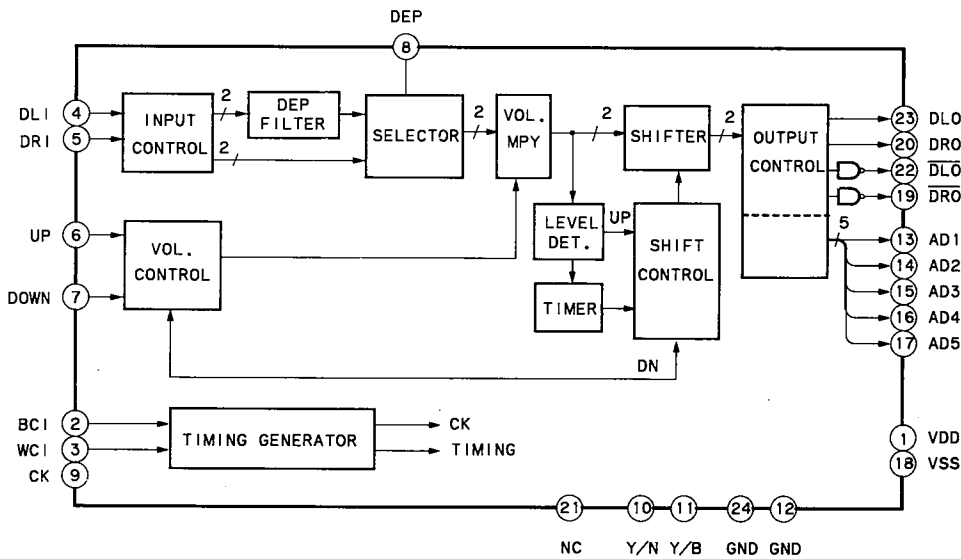
IC23: YM3613B
Digital Audio Interface Transmitter (DIT)



IC24: SM5813
Digital Filter

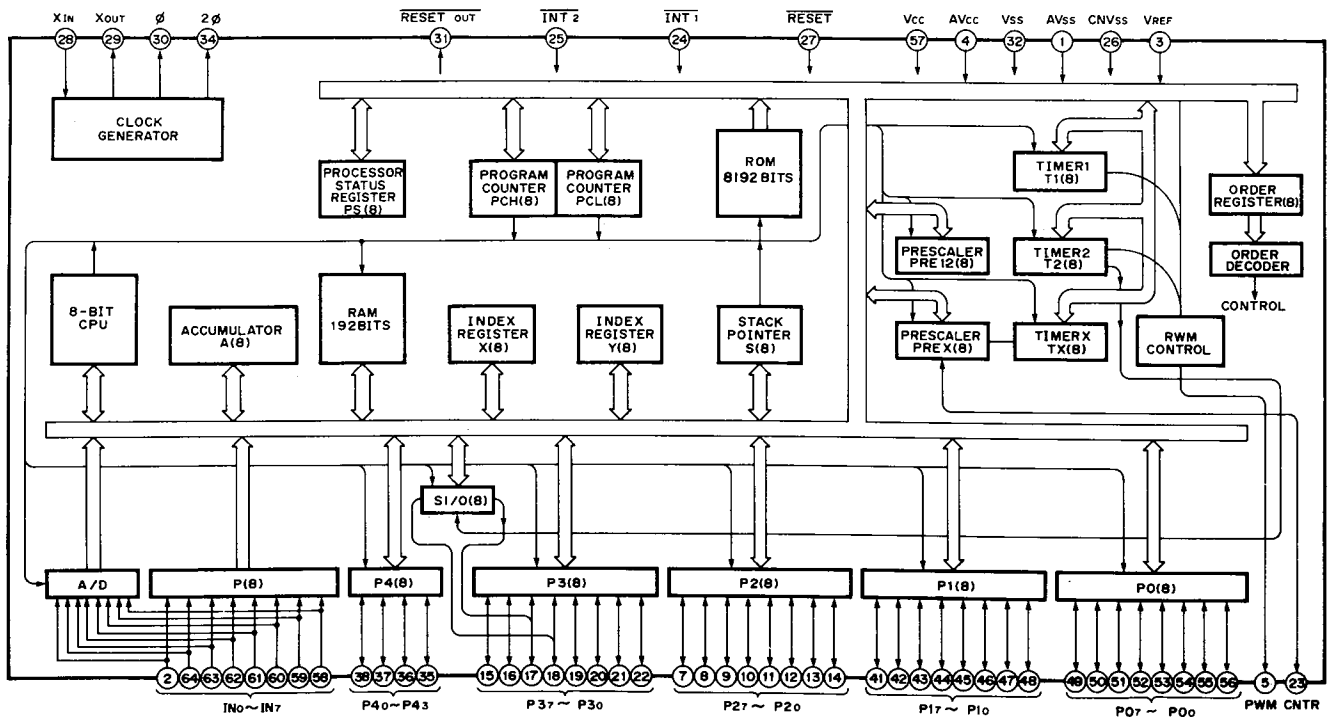
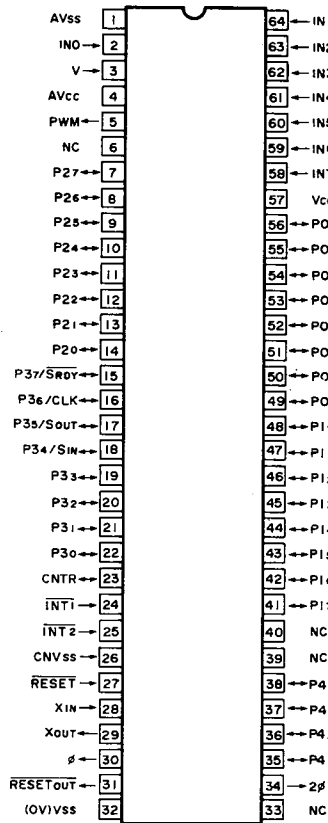


IC25: YM6055C
FDP



CDX-2020/1120/
CD-5050

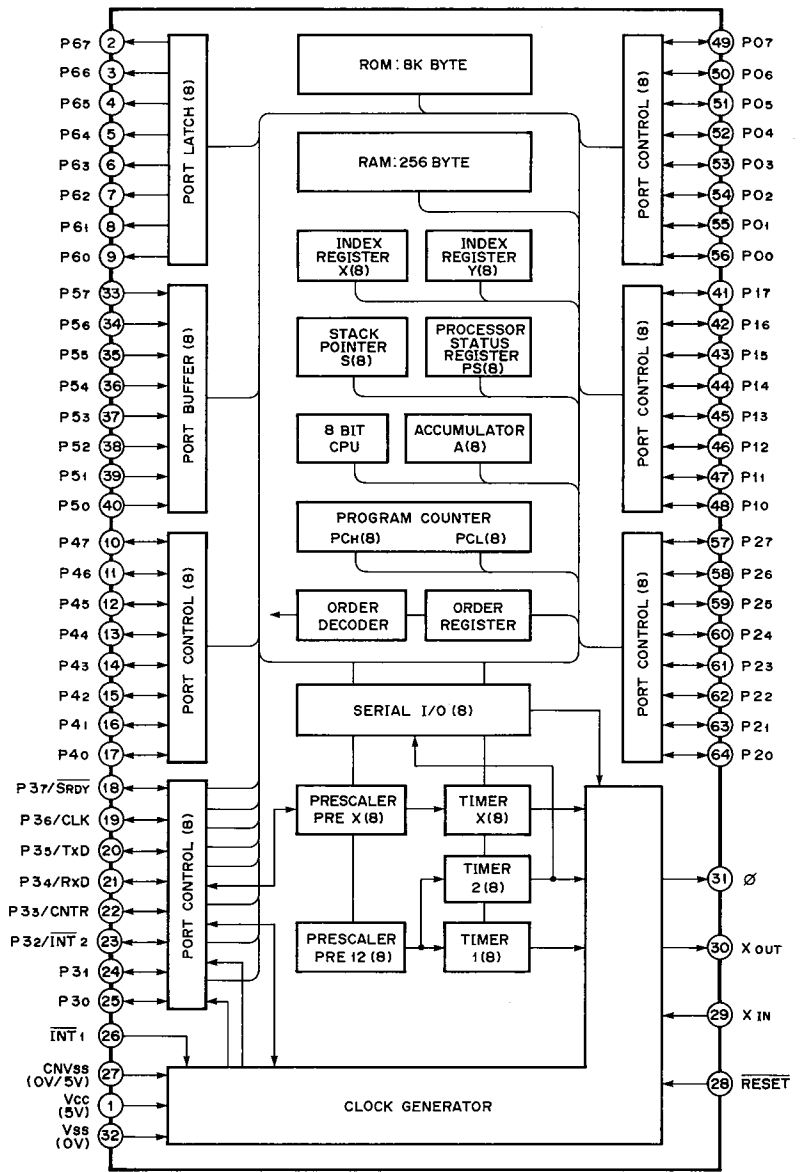
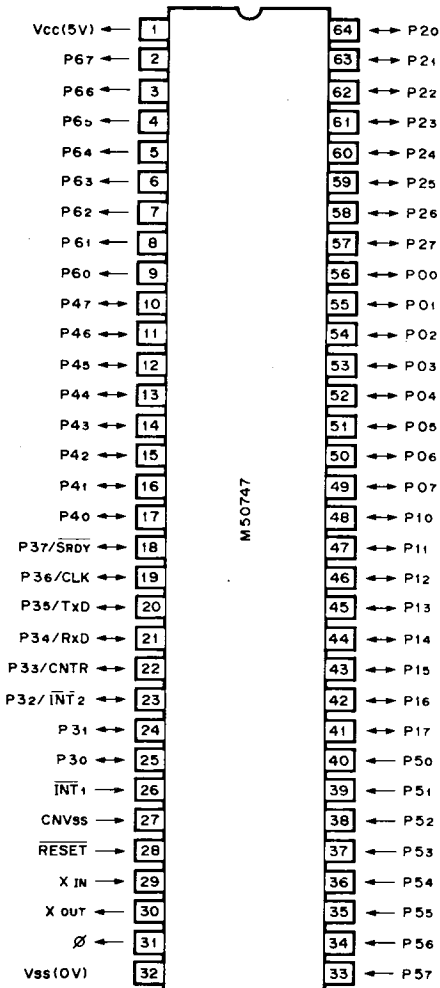
IC18: M50943-401SP
8 bit μ -COM



CDX-2020/1120/CD-5050

Pin No.	Pin Name	I/O	Function
1	V _{ss}		GND
2	AD	I	AD (PM detect)
3			} +5V
4			
5			} N.C.
6			
7		O	} 8 bit D/A Converter (Feed motor drive data)
8		O	
9		O	
10		O	
11		O	
12		O	
13		O	
14		O	
15	FGP	I	DM FG pulse detect
16	CLK	I	} SPC Interface
17	SO	O	
18	SI	I	
19	RW	O	
20	WQ	I	
21	DMC	O	DM Servo select
22	FMC	O	FM Servo select
23	TCK	I	Track count
24			} GND
25			
26	CNV _{ss}		
27	RES	I	RESET
28	XIN	I	} Clock (4.32 MHz)
29	XOUT	O	
30			} N.C.
31			
32	V _{ss}		GND
33			} N.C.
34			
35	TRGH	O	Tracking Servo Gain Control
36	TO	I	TRAY OUT SW
37	PLY	O	PLAY
38	LS	O	LASER ON/OFF
39			} N.C.
40			
41	FI	I	FLAPPER IN SW
42	FO	I	FLAPPER OUT SW
43	DCLK	I	DISPLAY DATA CLK
44	DS	I	} DISPLAY DATA START
45	D3	I	
46	D2	I	
47	D1	I	
48	D0	I	
49	DM-	O	} Disc motor control
50	DM+	O	
51	KP-	O	} Kick gain control
52	KP+	O	
53	FP-	O	} Flapper control
54	FP+	O	
55	TY-	O	} Tray motor control
56	TY+	O	
57	V _{cc}		+5V
58	TI	I	TRAY IN SW
59	Ki 5	I	} KEY input
60	Ki 4	I	
61	Ki 3	I	
62	Ki 2	I	
63	Ki 1	I	
64	Ki 0	I	

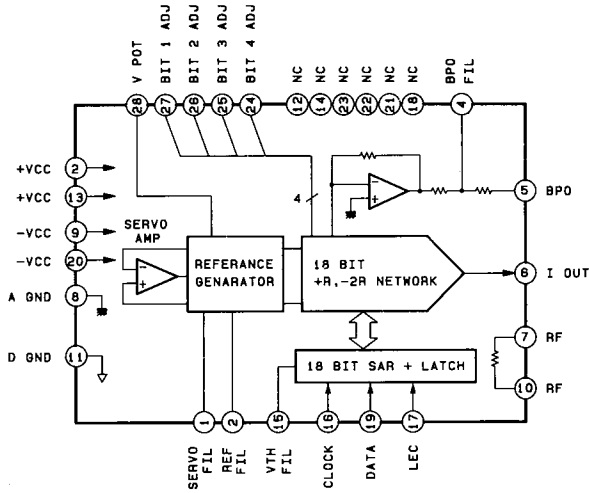
IC19: M50747-164SP or M50747E-401SP
8 bit μ -COM



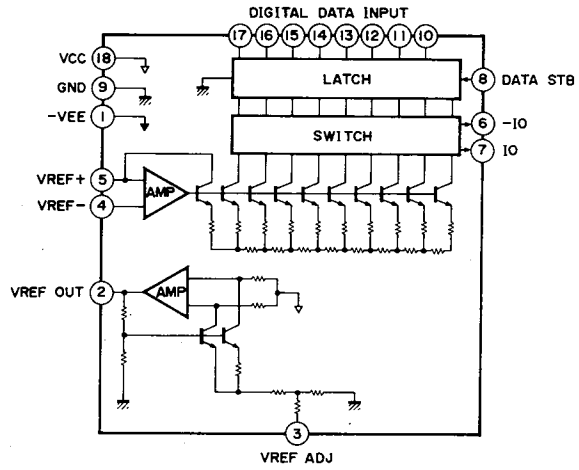
CDX-2020/1120/
CD-5050

Pin No.	Pin Name	I/O	Function
1	V _{cc}		+5V
2	KO 5	O	KEY output line
3	KO 4	O	
4	KO 3	O	
5	KO 2	O	
6	KO 1	O	
7	KO 0	O	
8			N.C.
9			
10			
11			
12			
13			VOLUME control UP DOWN
14	UP	O	
15	DN	O	
16	LPF	O	Filter ON/OFF
17	INH	O	LCD Display drive interface
18			
19	CLK	O	
20	DATA	O	
21			
22	CLK	O	
23	CE 1	O	
24	CE 2	O	
25		I	Remote Control
26	REMO	I	
27	CNV _{ss}		GND
28	RES	I	Reset
29	XI	I	Clock
30			N.C.
31			
32	VS		GND
33	K3	I	KEY input line
34	K2	I	
35	K1	I	
36	K0	I	
37			N.C.
38			
39			
40			
41	G9	O	KEY scan output
42	G7	O	
43	G6	O	
44	G5	O	
45	G4	O	
46	G3	O	
47	G2	O	
48	G1	O	
49			N.C.
50			
51			
52			
53			
54			
55			
56			DISPLAY DATA START
57	Di 3	O	
58	Di 2	O	
59	Di 1	O	
60	Di 0	O	
61	DIS	O	
62	DCLK	O	DISPLAY DATA CLK
63	DEP	I	Deemphasis
64	BAK	I	Backup detect

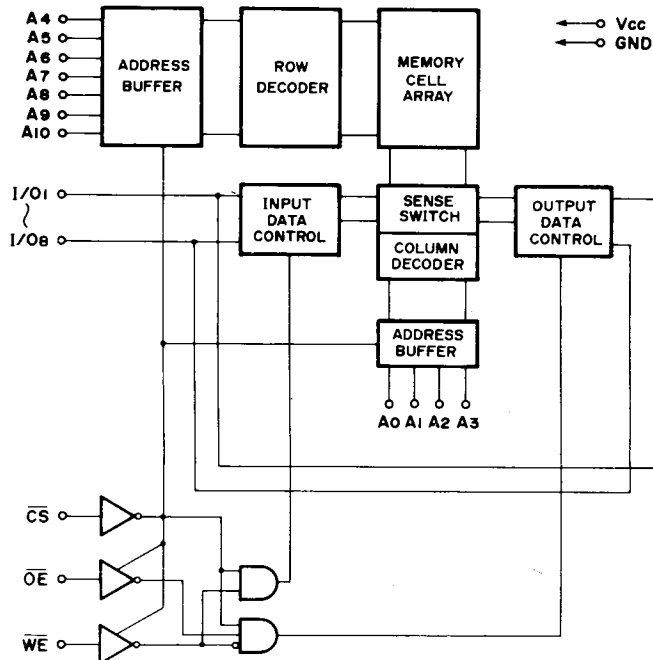
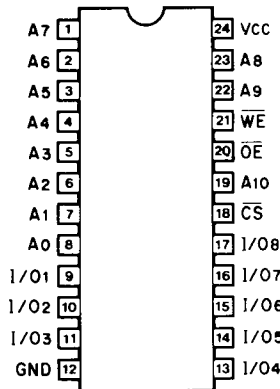
IC30 ~ 33: PCM58PJ
18 bit D/A Converter



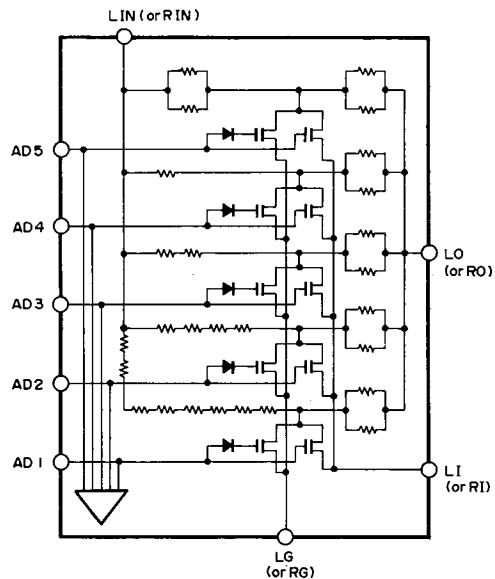
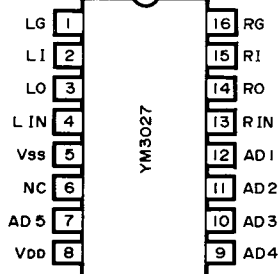
IC20: BA9201
8 bit D/A Converter



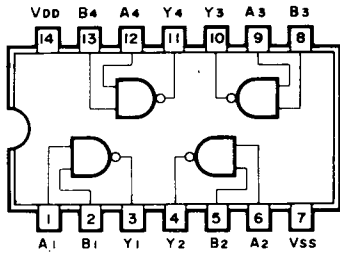
IC21: CXK5816PS or LC3517B-15
2048 – Word x 8 bit Static RAM



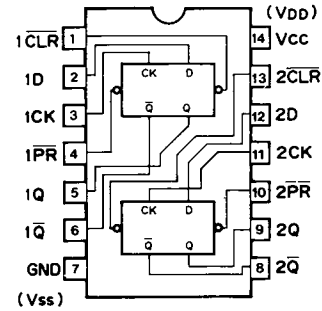
IC36, 37: YM3027
Floating Sample Hold



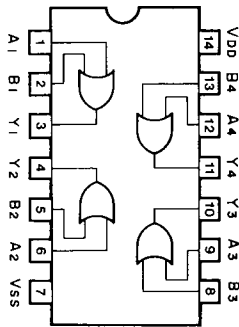
IC15: TC4011BP
IC27: TC74HC00P
 Quad 2-Input NAND Gate



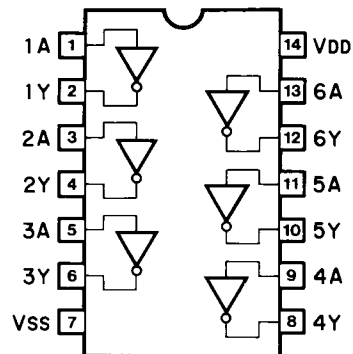
IC14, 29: TC74HC74P
 Dual D-Type Flip-Flop



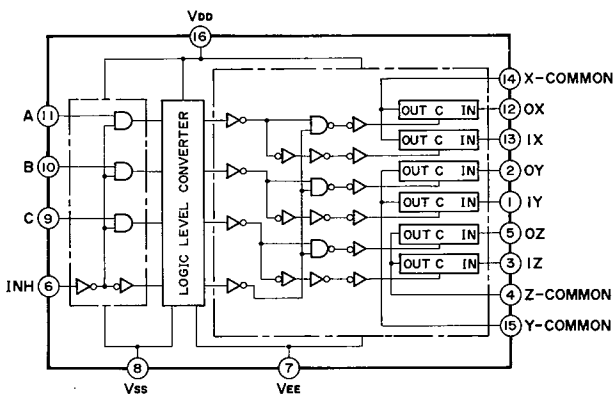
IC16: TC4071BP
 Quadruple 2-Input OR Gate



IC13: TC4069UBP
 Hex Inverter



IC17: TC4053BP or NJM4053BD
 Triple 2 channel Multiplexer/Demultiplexer

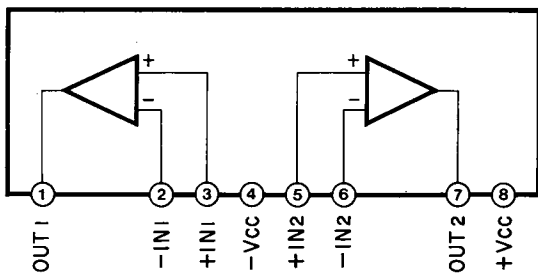


INHIBIT (Pin 6)	CONTROL INPUTS			"ON" CHANNEL
	C (Pin 9)	B (Pin 10)	A (Pin 11)	OX (Pin 12), OY (Pin 2), OZ (Pin 5) 1X (Pin 13), 1Y (Pin 1), 1Z (Pin 3)
L	L	L	L	OX, OY, OZ
L	L	L	H	1X, OY, OZ
L	L	H	L	OX, 1Y, OZ
L	L	H	H	1X, 1Y, OZ
L	H	L	L	OX, OY, 1Z
L	H	L	H	1X, OY, 1Z
L	H	H	L	OX, 1Y, 1Z
L	H	H	H	1X, 1Y, 1Z
H	*	*	*	NOTE

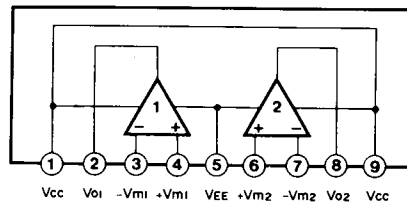
* Don't Care

CDX-2020/1120/CD-5050

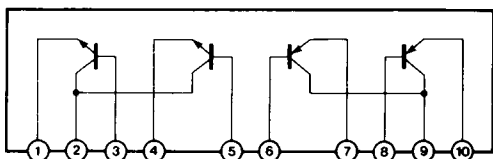
IC6: M5238L
 IC705, 706: M5218L
 Dual Ope-Amp



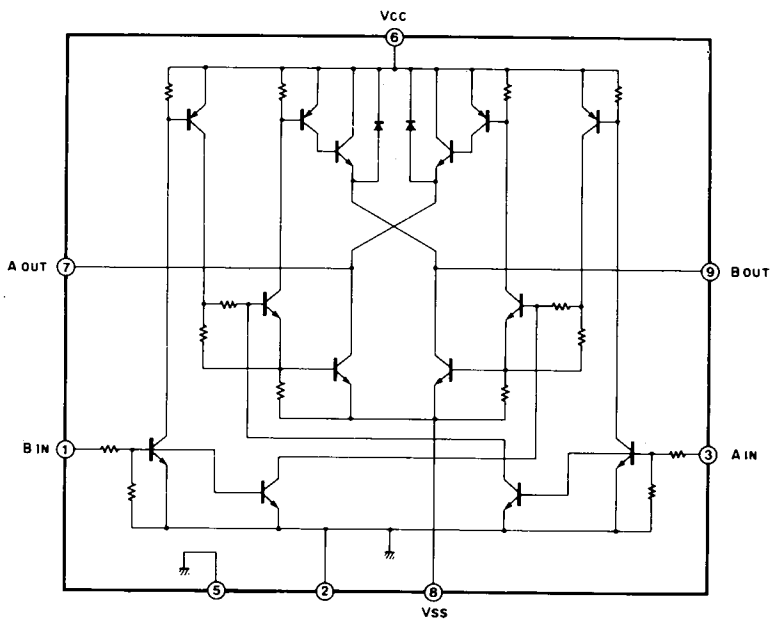
IC1, 2, 7 ~ 12: NJM4558S, BA715 or AN6551
 IC4, 5: NJM2043S
 IC34, 35, 38, 39, 701 ~ 704: NJM5532S
 Dual Ope-Amp



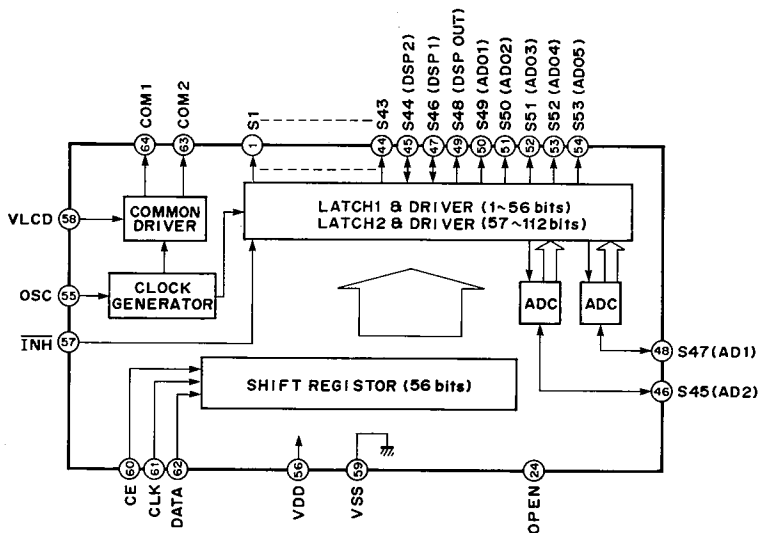
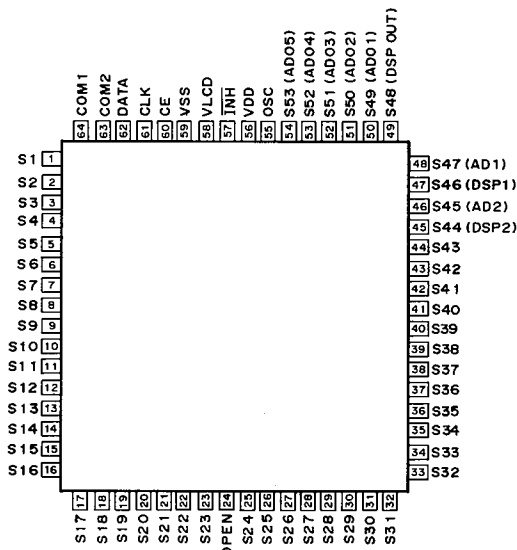
IC3: STA451C
 Transistor Array



IC40, 41: BA6218
 Motor Driver

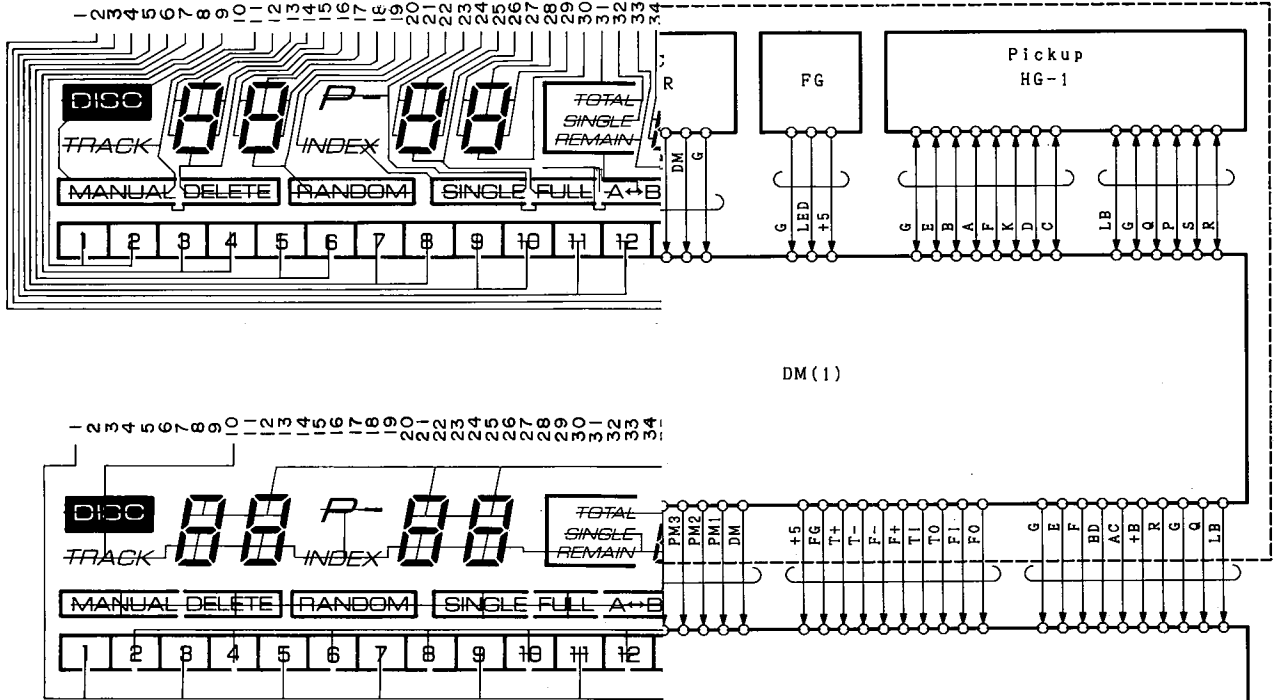


IC601, 602: LC7582
 LCD Driver



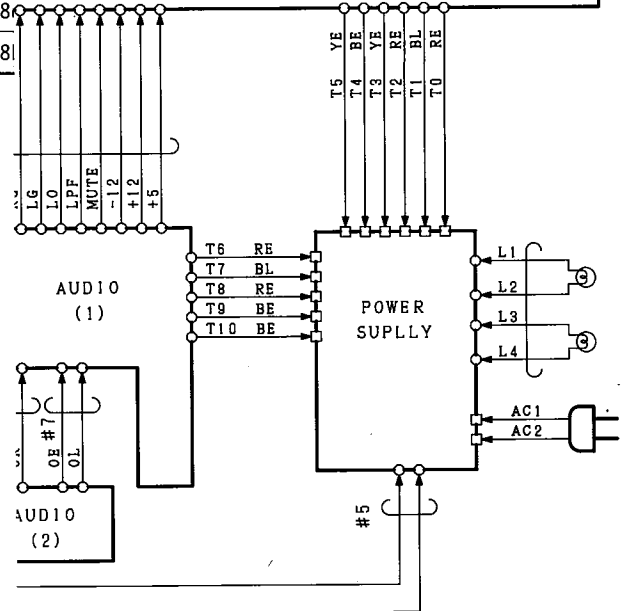
LCD DATA

M

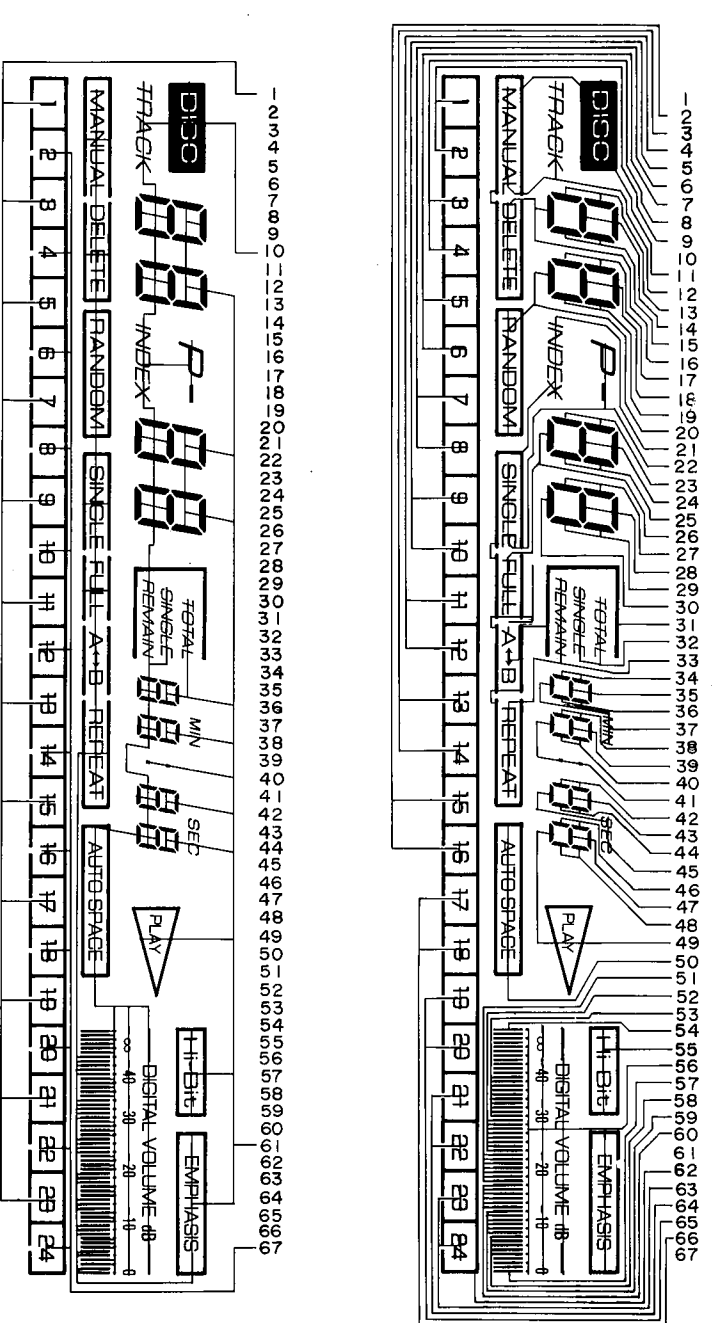


NO.	1	2	3	4	5	6	7	8	9	62	63	64	6
COM1	COM	15	13	11	9	7	5	3	1	—	23	21	1
COM2	—	16	14	12	10	8	6	4	2	*4	24	22	2
NO.	10	11	12	13	14	15	16	17	18	19	20	21	2
COM3	COM	DISC	TRACK	1e	1g	1c	1d	2e	2g	2c	2d	INDEX	P
COM4	—	*1	MANUAL	1f	1a	1b	DELETE	2f	2a	2b	RAM DOM	*2	SING
NO.	36	37	38	39	40	41	42	43	44	45	46	47	4
COM3	5c	5d	6e	6g	6c	6d	7e	7g	7c	7d	8e	8g	8
COM4	5b	MIN	6f	6a	6b	COL	7f	7a	7b	SEC	8f	8a	8

- *1: [] (MANUAL,DELETE)
- *2: [] (SINGLE,FULL,A↔B,REPEAT)
- *3: — DIGITAL VOLUME dB —,∞……………0
- *4: [] (1……………24)



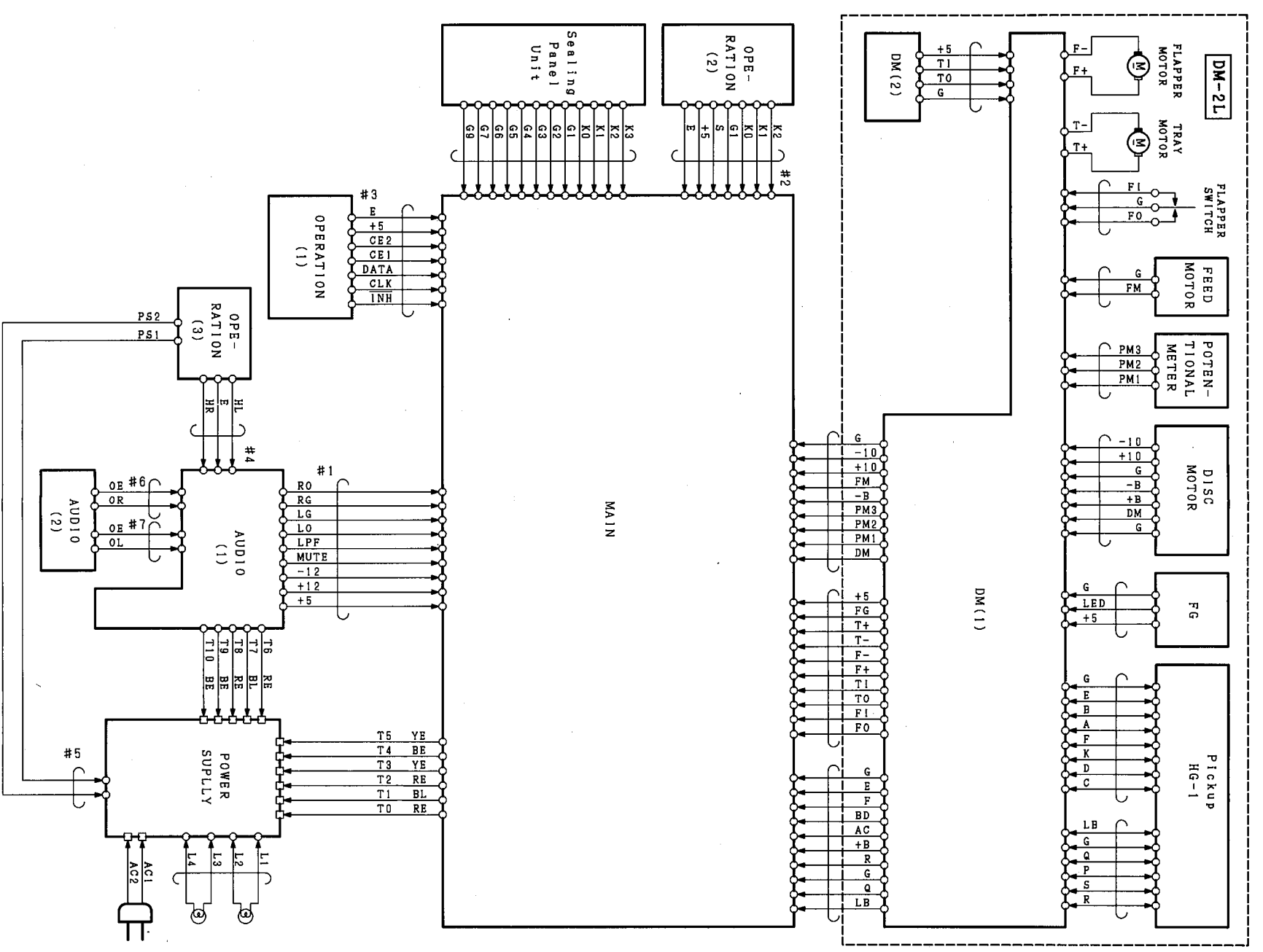
LCD DATA



NO.	1	2	3	4	5	6	7	8	9	62	63	64	65	66	67
COM1	COM	15	13	11	9	7	5	3	1	—	23	21	19	17	—
COM2	—	16	14	12	10	8	6	4	2	*4	24	22	20	18	COM
NO.	10	11	12	13	14	15	16	17	18	19	20	21	22	23	24
COM3	COM	DISC	TRACK	1e	1g	1c	1d	2e	2g	2c	2d	INDEX	P-	3e	3g
COM4	—	*1	MANUAL	1f	1a	1b	DELETE	2f	2a	2b	RAM	*2	SINGLE	3f	3a
NO.	36	37	38	39	40	41	42	43	44	45	46	47	48	49	50
COM3	5c	5d	5e	5f	6e	6g	6c	6d	7e	7g	7c	7d	8e	8g	8c
COM4	5b	MIN	6f	6a	6b	COL	7f	7a	7b	SEC	8f	8a	8b	▶	AUTO
															SPACE
															B8
															B7
															B5
															B3
															B1
															H-INT
															SIS
															B16
															B15
															B13
															B11
															B9
															COM
															B10
															COM

*1: (MANUAL DELETE)
 *2: (SINGLE, FULL, A+B, REPEAT)
 *3: DIGITAL VOLUME dB, ∞, 0
 *4: (1.....24)

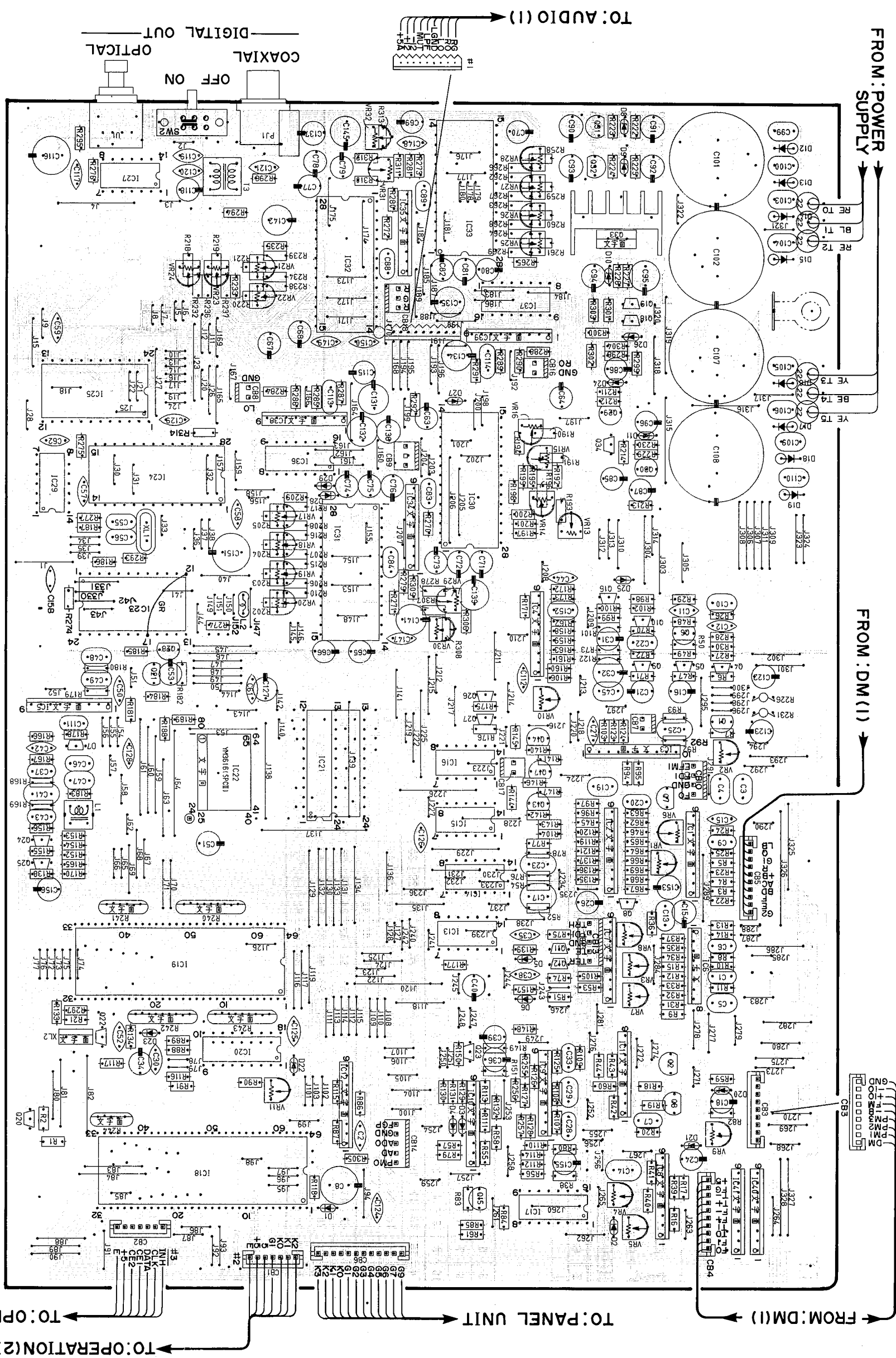
INTERCONNECT WIRING DIAGRAM



PRINTED CIRCUIT BOARD (Foil side)

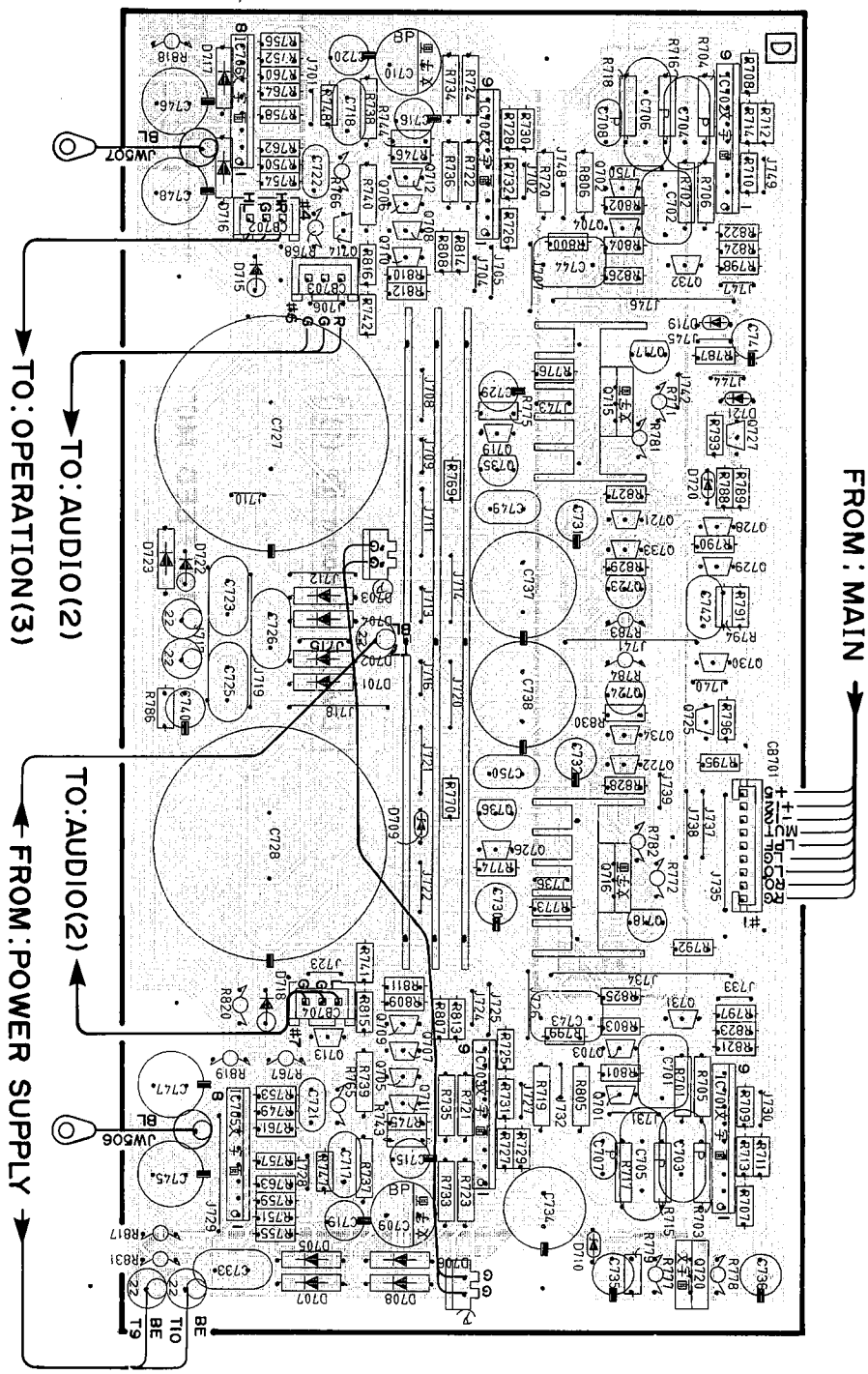
(Note) 文字面 : Component side

Main Circuit Board D

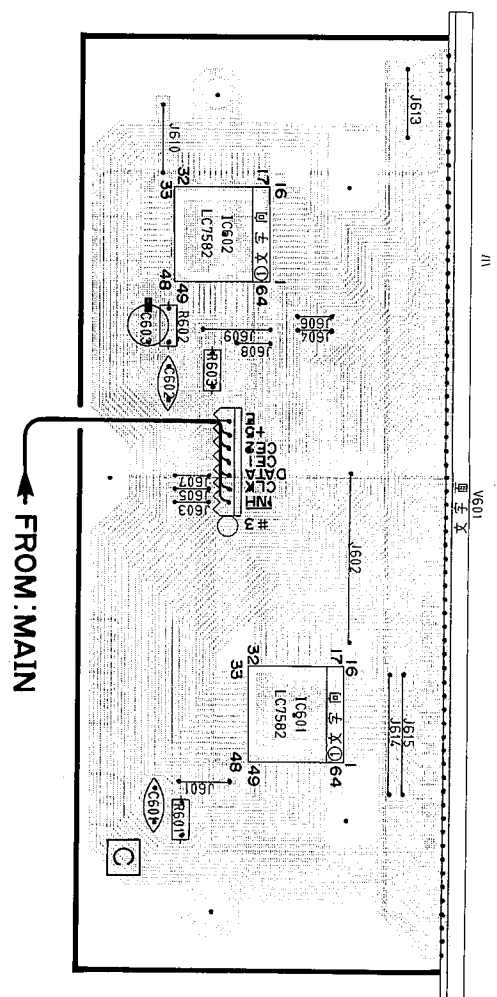


PRINTED CIRCUIT BOARD (Foil side)

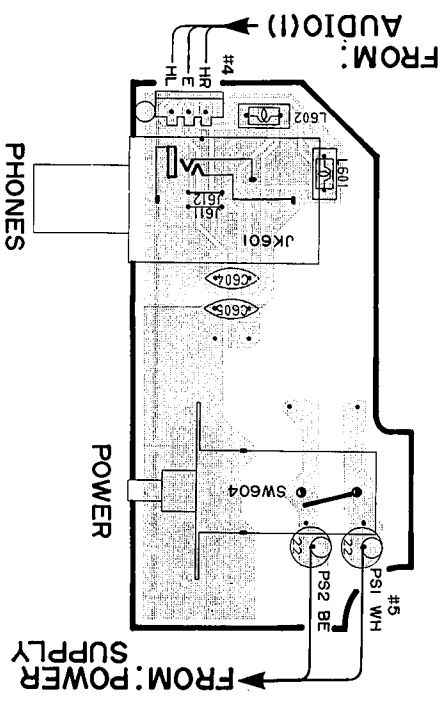
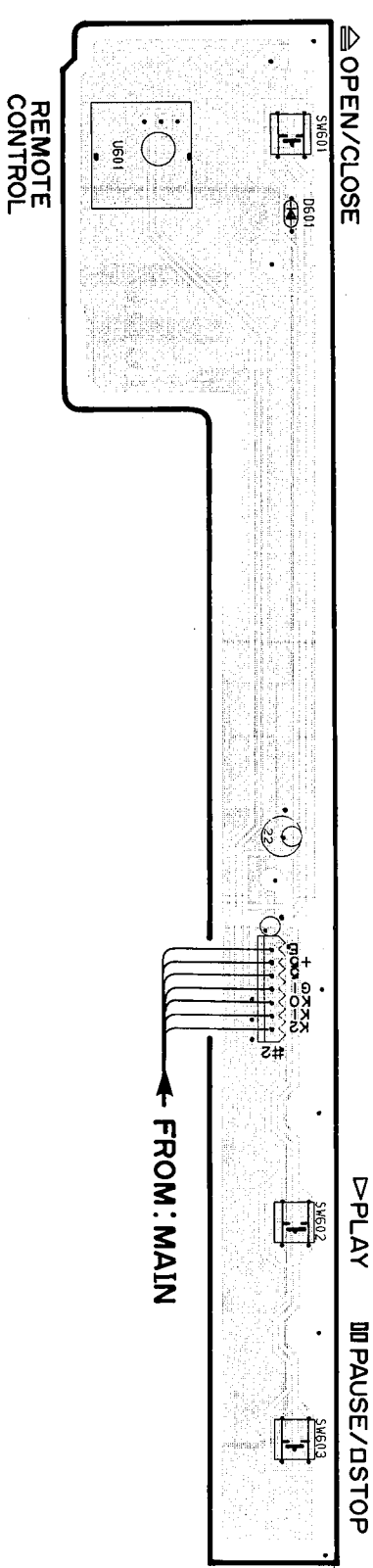
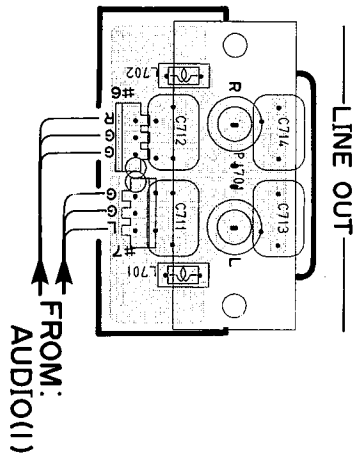
Note) 文字面 : Component side



Audio Circuit Board (1)



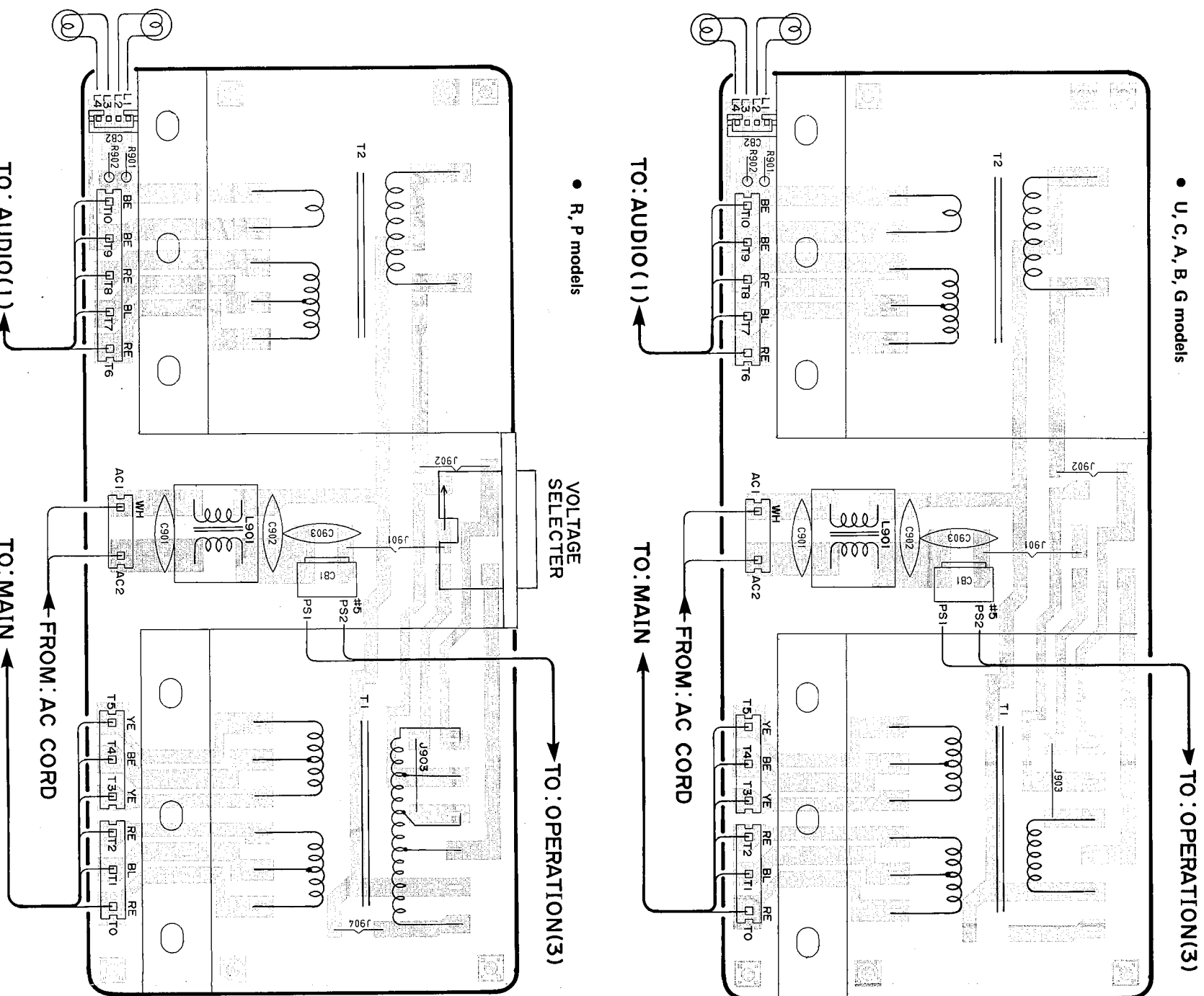
Operation Circuit Board (1)



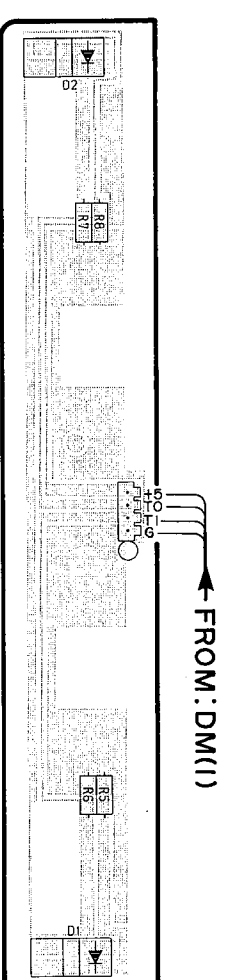
PRINTED CIRCUIT BOARD (Foil side)

Note) 文字面 : Component side

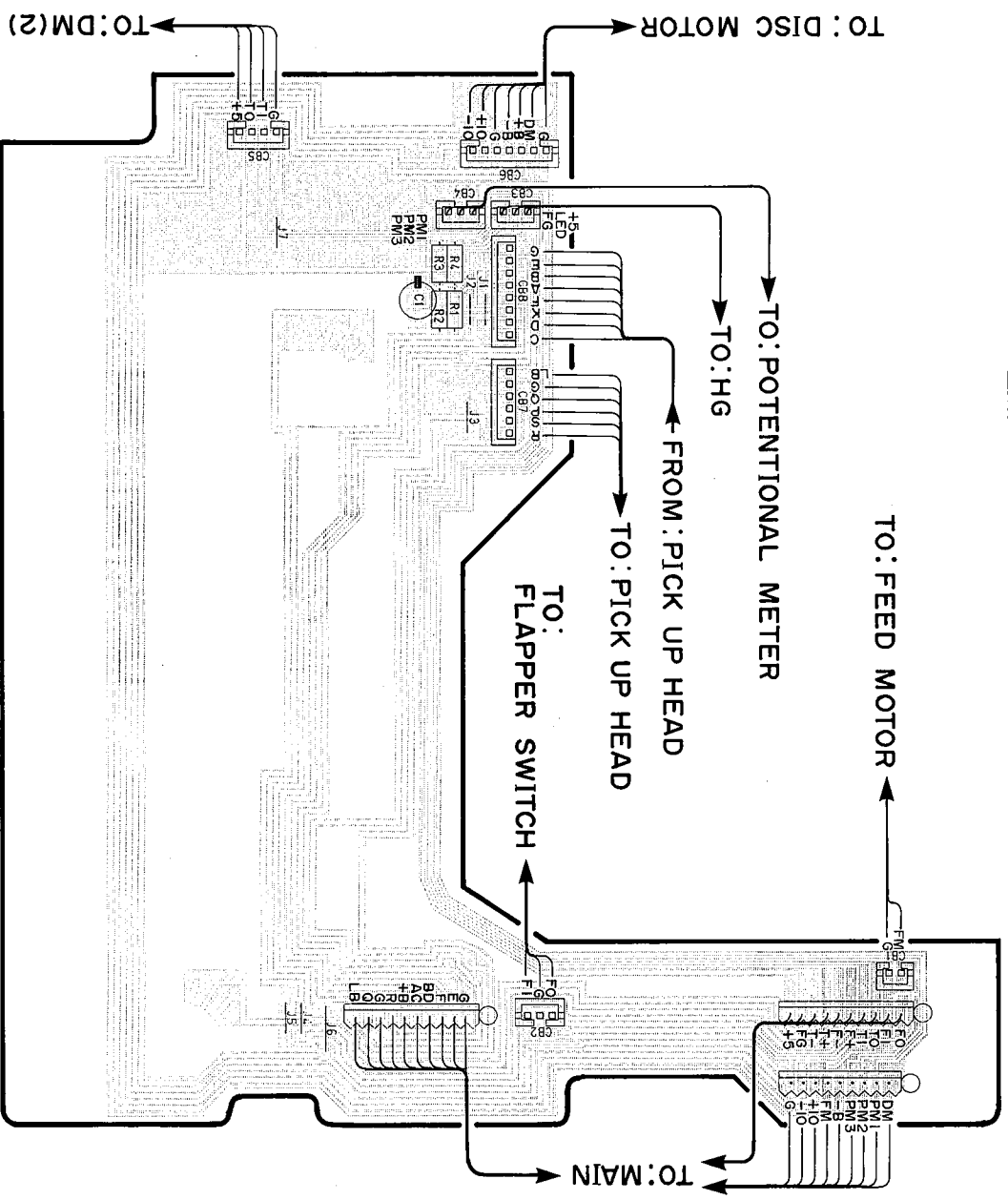
Power Supply Circuit Board **B**



DM Circuit Board **D** (2)



DM Circuit Board **D** (1)



Ref. No.	Part No.	Description			部 品 名	Remarks	Common Model	Markets	ランク
※	VG 48 26 00	Audio Circuit Board			オーディオシート		J		
※	VG 48 27 00	//			//		U,C,R,A,B,G,P		
	FA 15 41 00	Mylar Cap.	0.01 μ F	50V	マイラーコン	C742			
※	VH 17 75 00	Polypropylene Film Cap.	0.024 μ F	100V	ポリプロコン	C703,704			
	UT 46 43 90	//	0.039 μ F	100V	//	C705,706			
※	VH 17 74 00	//	3000pF	100V	//	C707,708			
	UJ 13 71 00	Electrolytic Cap.	10 μ F	16V	ケミコン	C741			
	UJ 16 64 70	//	4.7 μ F	50V	//	C740			
	UJ 14 71 00	//	10 μ F	25V	//	C715,716,719,720,729			
	UJ 13 74 70	//	47 μ F	16V	//	C730			
	UK 34 72 20	//	22 μ F	25V	B P コ ン	C709,710			
	UT 45 23 30	Polypropylene Film Cap.	330pF	100V	ポリプロコン	C717,718			
	UT 45 31 00	//	1000pF	100V	//	C747,750			
	UT 45 41 00	//	0.01 μ F	100V	//	C723,725,726,733			
	UT 45 21 50	//	150pF	100V	//	C711~714			
	VG 89 27 00	//	39pF	100V	//	C743,744			
	UT 45 24 70	//	470pF	100V	//	C701,702			
	FU 35 12 20	Mica Cap.	22pF	500V	マイカコン	C721,722			
	UJ 13 47 47	Electrolytic Cap.	47 μ F	16V	ケミコン	C731,732,735,736			
	UJ 13 84 70	//	470 μ F	16V	//	C745~748			
	UJ 13 91 00	//	1000 μ F	16V	//	C734			
	Ui 99 83 30	//	330 μ F	100V	//	C737,738			
※	VH 17 77 00	//	3300 μ F	63V	ブロックケミコン	C727,728			
	VD 47 37 00	SB Coil	60 μ H		S B コ イ ル	L701,702			
	HV 45 32 20	Flame Proof Carbon Resistor	2.2 Ω	1/4W	不燃化カーボン抵抗	R778			
	HV 45 31 00	//	1 Ω	1/4W	//	R831			
	HV 45 34 70	//	4.7 Ω	1/4W	//	R817~820			
	HV 45 38 20	//	8.2 Ω	1/4W	//	R781,782			
	HV 45 41 80	//	18 Ω	1/4W	//	R772			
	HV 45 43 90	//	39 Ω	1/4W	//	R771			
	HV 45 46 80	//	68 Ω	1/4W	//	R767,768			
	HV 45 48 20	//	82 Ω	1/4W	//	R765,766			
	HV 45 52 20	//	220 Ω	1/4W	//	R783,784			
	HV 45 54 70	//	470 Ω	1/4W	//	R777			
	iA 09 34 10	Transistor	2SA934		トランジスタ	Q724			
	VC 46 67 00	//	2SA1534A(Q,R,S)		//	//	Inter-changeable		
	iB 05 44 00	//	2SB544		//	//			
	iB 05 44 00	//	2SB544		//	Q718			
	iA 09 33 00	//	2SA933S(Q,R)		//	Q721,726,728,729,731~733	Inter-changeable		
	iA 11 15 10	//	2SA1115(E,F)		//	//			
	iX 60 31 70	//	2SA1310(R,S,T)		//	//			
	iC 17 40 00	//	2SC1740S(S,R)		//	Q722,725,727,734	Inter-changeable		
	iC 20 63 20	//	2SC2603(E,F)		//	//			
	iX 60 31 80	//	2SC3312(R,S,T)		//	//			
	iX 60 31 80	//	2SC3312(R,S,T)		//	Q719			
	iD 04 00 00	//	2SD400		//	Q717	Inter-changeable		
	iC 20 60 00	//	2SC2060		//	//			
	VC 46 68 00	//	2SC3940A(Q,R,S)		//	//			
	iD 04 00 00	//	2SD400		//	Q723			
	VC 61 40 00	//	2SB1274(Q,R,S)		//	Q715			

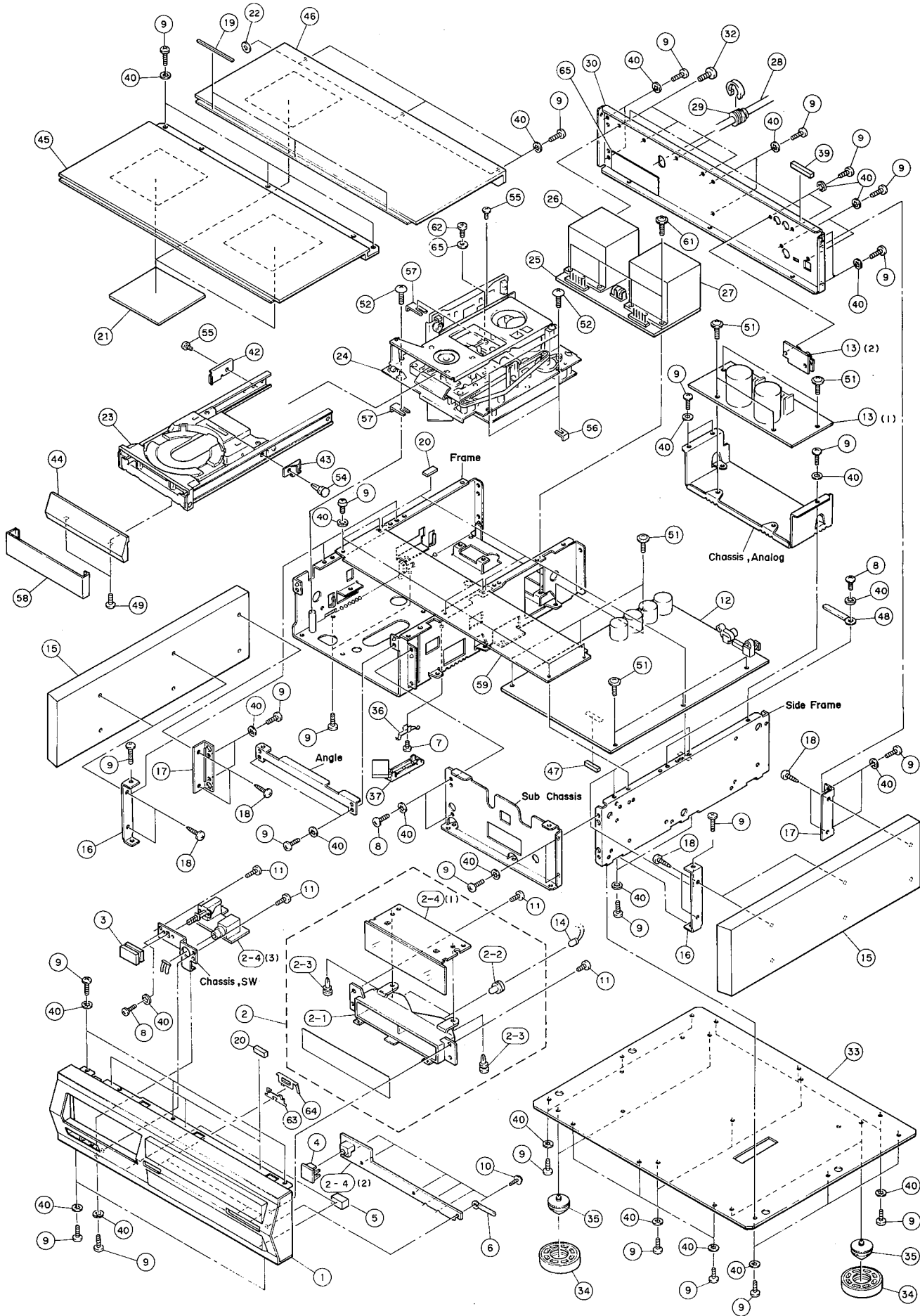
※New Parts (新規部品) NR

CDX-2020/1120/CD-5050

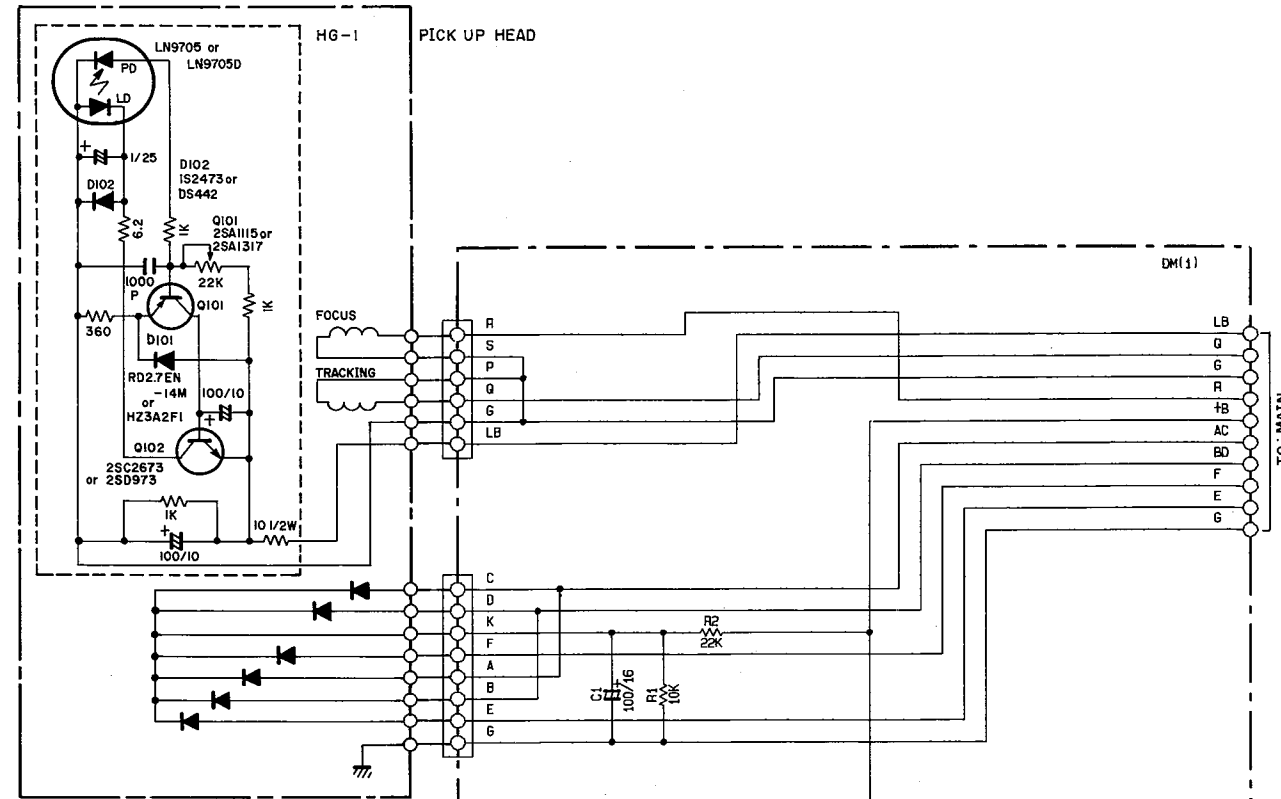
Ref. No.	Part No.	Description	部 品 名		Remarks	Common Model	Markets	ランク
※	VG 76 84 00	DM Circuit Board			D M シ ー ト			
	UJ 13 81 00	Electrolytic Cap.	100 μ F	16V	ケ ミ コ ン	CI		
※	VG 75 52 00	Photo Interrupter			フ ォ ト イ ン タ ラ プ タ	DI,2		
	VD 00 45 00	Base Pin	2P	i-Type	P H ベ ー ス ピ ン	CB1		
	VD 00 46 00	//	3P	i-Type	//	CB2~4		
	VD 00 47 00	//	4P	i-Type	//	CB5		
	LB 94 20 60	Connector	6P	TE	ピ ン ブ ロ ッ ク P I コ ネ ク タ ー	CB7		
	LB 94 20 80	//	8P	TE	//	CB8		
※	VG 76 50 00	Power Supply Circuit Board			電 源 シ ー ト		J	
※	VG 76 51 00	//			//		U,C,A,B,G	
※	VG 76 52 00	//			//		R,P	
	VA 98 55 00	Ceramic Cap.	0.01 μ F	250V	セ ラ コ ン	C901,902	J	△
	VE 17 92 00	//	0.01 μ F	400V	//	//	U,C,R,A,B,G,P	△
	VA 98 62 00	//	0.01 μ F	250V	//	C903	J	△
	VE 17 92 00	//	0.01 μ F	400V	//	//	U,C,R,A,B,G,P	△
	HV 45 31 00	Flame Proof Carbon Resistor	1 Ω	1/4W	不 燃 化 カ ー ボ ン 抵 抗	R901,902		
	VE 80 07 00	Line Filter	ELF18D290V		ラ イ ン フ ィ ル タ ー	L901		△
	VG 38 81 00	Voltage Selector			電 圧 切 換 器	SW901	R,P	△
※	VG 87 99 00	Base Pin	2P	P=7.9	V H コ ネ ク タ ー ベ ー ス ピ ン	CB1		
	VB 21 91 00	//	4P	i-Type	P H ベ ー ス ピ ン	CB2		
	LA 00 23 40	Lapping Terminal	5P	P=7.5 i-Type	i 型 ラ ッ ピ ン ぐ 端 子 板			
	LA 00 23 20	//	3P	P=7.5 i-Type	//			
	LA 00 21 40	//	2P	P=10 i-Type	//			

※New Parts (新規部品) NR

EXPLODED VIEW (CDX-2020)



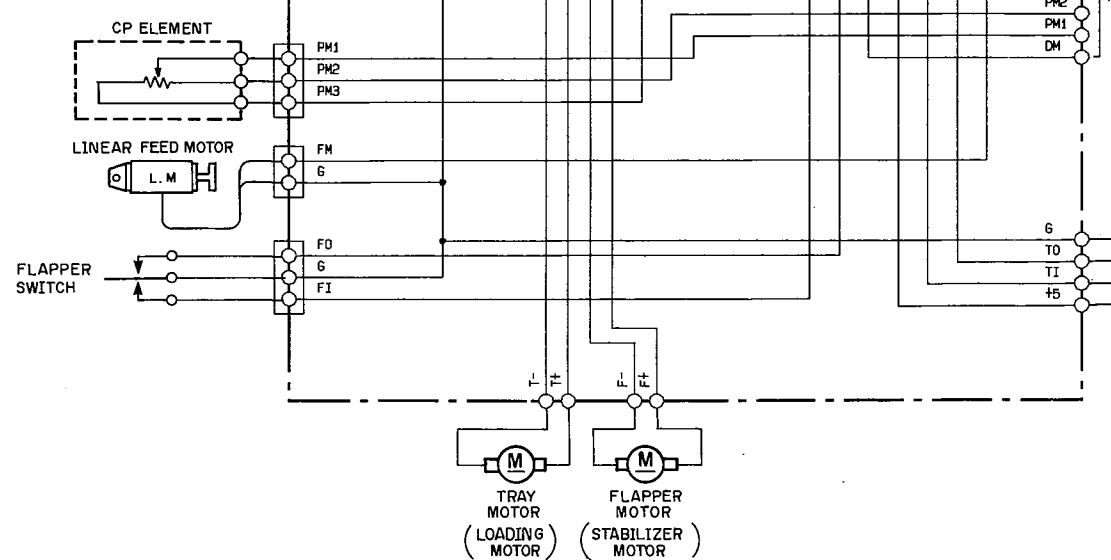
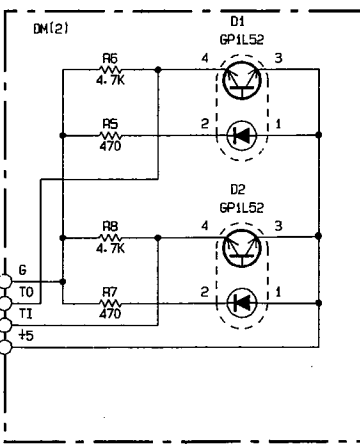
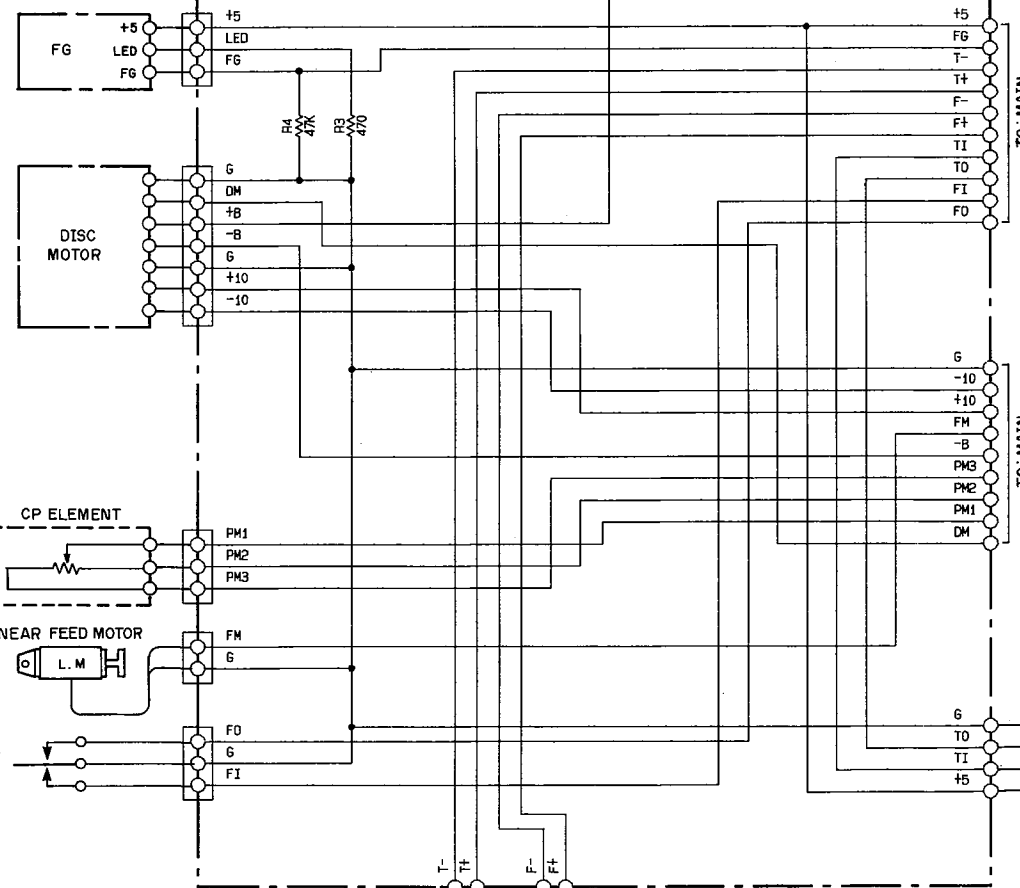
SCHEMATIC DIAGRAM



REMARKS	PARTS NAME
NO MARK	CARBON FILM RESISTOR (1/6W)
□	CARBON FILM RESISTOR (1/4W)
△	METAL OXIDE FILM RESISTOR
▲	METEL FILM RESISTOR
⊠	METEL PLATE RESISTOR
⊞	FIRE PROOF CARBON FILM RESISTOR
□	SEMENT MOLDED RESISTOR
⊗	SEMI VARIABLE RESISTOR
■	CHIP RESISTOR

NOTICE
 (J)..... Japanese model
 (U)..... U.S.A model
 (C)..... Canadian model
 (A)..... Australian model
 (G)..... European model
 (B)..... British model
 (R)..... General model
 (P)..... RP model

REMARKS	PARTS NAME
NO MARK	ELECTROLYTIC CAPACITOR
⊗	TANTALUM CAPACITOR
NO MARK	CERAMIC CAPACITOR
⊙	POLYESTEL FILM CAPACITOR
○	POLYSTYRENE FILM CAPACITOR
⊖	MICA CAPACITOR
⊕	POLYPROPYLENE FILM CAPACITOR
●	SEMICONDUCTIVE CERAMIC CAPACITOR



* All voltages are measured with a 10MΩ/DC electric volt meter.
 * Components having special characteristics are marked △ and must be replaced with parts having specifications equal to those originally installed.
 * Schematic diagram is subject to change without notice.

PARTS LIST

ELECTRICAL PARTS

WARNING

Components having special characteristics are marked Δ and must be replaced with parts having specifications equal to those originally installed.

• Carbon resistors (1/6W or 1/4W) are not included in the ELECTRICAL PARTS list. For the parts No. of the carbon resistors, refer to P.68.

Ref. No.	Part No.	Description	部品名	Remarks	Common Model	Markets	ランク
※	VG 48 23 00	Main Circuit Board	メインシート			J	
※	VG 48 25 00	//	//			U,C,R,A,B,G,P	
	FG 21 11 00	Ceramic Cap.	セラコン	C44			
	FG 21 11 00	//	//	C158		U,C,R,A,B,G,P	
	FG 21 12 20	//	//	C27,50			
	FG 21 13 30	//	//	C42			
	FG 21 15 60	//	//	C35,38,112			
	FG 21 21 00	//	//	C2,57			
	FG 21 21 50	//	//	C15			
	FG 21 22 20	//	//	C11			
	FG 11 25 60	//	//	C119~121			
	FG 21 26 80	//	//	C12			
	FG 24 41 00	//	//	C124~126,128,129,147~150			
	FZ 00 41 30	Semiconductive Ceramic Cap.	半導体セラコン	C30,52,58,59,61,62,117			
	FZ 00 41 30	//	//	C157		J	
	FC 44 41 00	Mylar Cap.	マイラーコン	C99,100,103~106,109,110			
	FA 15 31 00	//	//	C111			
	FA 15 31 20	//	//	C1,6			
	FA 15 31 80	//	//	C7			
	FA 15 32 20	//	//	C33			
	FA 15 33 90	//	//	C37			
	FA 15 34 70	//	//	C152			
	FA 15 36 80	//	//	C9			
	FA 15 41 00	//	//	C46			
	FA 15 41 80	//	//	C43			
	FA 15 42 20	//	//	C28			
	FA 15 43 30	//	//	C20			
	FA 15 44 70	//	//	C10,47~49			
	FA 15 51 00	//	//	C3~5,19,29,45			
	FA 15 51 20	//	//	C13,22			
	FA 15 51 50	//	//	C14			
	FA 15 52 40	//	//	C41			
	FA 15 53 90	//	//	C23,25			
	FA 15 58 20	//	//	C17			
	UT 45 22 20	Polypropylene Film Cap.	ポリプロコン	C83,84,88,89,113,114			
	FU 35 12 70	Mica Cap.	マイカコン	C55,56			
	UJ 11 81 00	Electrolytic Cap.	ケミコン	C51,156			
	UJ 11 82 20	//	//	C36			
	UJ 11 84 70	//	//	C32			
	UJ 11 91 00	//	//	C116,151			
	UJ 12 81 00	//	//	C26,85,127			
	UJ 12 82 20	//	//	C94~96			
	UJ 13 73 30	//	//	C18,24,53,86,87			
	UJ 13 74 70	//	//	C21,155			
	UJ 13 81 00	//	//	C90~93,115,122,123,153,154			
	UJ 14 64 70	//	//	C16			
	UJ 16 61 00	//	//	C31,34,40			
	UJ 16 62 20	//	//	C39			
	UJ 46 63 30	//	//	C63~82			
	UJ 12 81 00	//	//	C136,137			
	UJ 29 71 00	//	//	C131,132,134,135,139,141,142,145			
※	VG 75 09 00	//	ブロックケミコン	C107,108			
※	VG 75 10 00	//	//	C101,102			

※New Parts (新規部品) NR

Ref. No.	Part No.	Description	部品名	Remarks	Common Model	Markets	ランク
	VB 17 01 00	Electrolytic Cap.	4700 μ F 5.5V	バックアップケミコン			C8
	GE 90 20 00	OSC Coil	3.3 μ H	発振コイル			L1
	VE 79 55 00	Ferrite Bead	B-01-RTF	フェライトビーズ			L2
	VC 54 82 00	Pulse Trans		パルストランス			T3
	VE 59 47 00	Metal Film Resistor	2.2k Ω 1/6W	金属被膜抵抗			R165,170
	VE 59 48 00	//	22k Ω 1/6W	//			R152,154
	HV 45 34 70	Flame Proof Carbon Resistor	4.7 Ω 1/4W	不燃化カーボン抵抗			R226,231
※	VG 73 41 00	Resistor Array	10k Ω ×4	抵抗アレイ			R244
※	VG 73 42 00	//	10k Ω ×5	//			R241
	VE 11 14 00	//	10k Ω ×8	//			R240,242,243
	VB 86 10 00	Pre-Set Potentiometer	B470 Ω	半固定抵抗			VR11
	VB 86 14 00	//	B4.7k Ω	//			VR5,9
	VB 86 15 00	//	B10k Ω	//			VR2,8
	VB 86 18 00	//	B47k Ω	//			VR3
	VC 61 25 00	//	B68k Ω	//			VR1
	VB 86 19 00	//	B100k Ω	//			VR4,6,7,13~32
	VB 86 23 00	//	B1M Ω	//			VR10
	iA 09 33 00	Transistor	2SA933S(Q,R)	トランジスタ			Q8,20,26,34
	iA 11 15 10	//	2SA1115(E,F)	//			Inter-changeable
	iX 60 31 70	//	2SA1310(R,S,T)	//			Inter-changeable
	iA 09 34 10	//	2SA934	//			Q3,30,32
	iB 05 44 00	//	2SB544	//			Inter-changeable
	iC 17 40 00	//	2SC1740S(S,R)	//			Q4,5,9~12,16,18,19,22~25,27
	iC 26 03 10	//	2SC2603(E,F)	//			Inter-changeable
	iX 60 31 80	//	2SC3312(R,S,T)	//			Inter-changeable
	iC 20 60 00	//	2SC2060	//			Q2,29,31
	iD 04 00 00	//	2SD400	//			Inter-changeable
	iC 05 35 40	//	2SC535(A,B,C)	//			Q1,6
	iC 19 23 00	//	2SC1923	//			Inter-changeable
	iX 60 42 00	//	2SC2878(A,B)	//			Q7,13~15,17,21,28
	iC 33 27 00	//	2SC3327	//			Inter-changeable
	VC 50 21 00	//	2SD1915	//			Inter-changeable
	iC 19 83 00	//	2SC1983	//			Q33
	iF 00 34 50	Diode	ISS133	ダイオード			D1~6,23,25,28,29
	iH 00 14 30	//	ISR35-100AT	//			D12~19
	VG 43 62 00	Zener Diode	MTZJ3.6A	ツェナーダイオード			D21
※	VG 43 73 00	//	MTZJ5.1A	//			D27
※	VG 43 77 00	//	MTZJ5.6B	//			D10,11,26
※	VG 43 86 00	//	MTZJ7.5B	//			D22,24
※	VG 43 93 00	//	MTZJ9.1C	//			D20
※	VG 44 05 00	//	MTZJ13B	//			D8,9
	iF 00 49 10	Varactor Diode	1SV55	F Mバクターダイオード			D7
	iF 00 49 20	//	SVC211	//			Inter-changeable
	XB 24 80 01	IC	M5238L	I C			IC6
	iG 08 02 00	//	NJM2043S	//			IC4,5
	XA 42 60 01	//	NJM5532S	//			IC34,35,38,39

※New Parts (新規部品) NR

Ref. No.	Part No.	Description	部 品 名		Remarks	Common Model	Markets	ランク
	IG 07 68 00	IC	NJM4558S	I	C	IC1,2,7~12		
	IG 13 22 00	//	BA715	//	//	} Inter-changeable		
	IG 03 47 00	//	AN6551	//	//			
	IG 11 94 00	//	STA451C	//	IC3			
	IG 15 35 00	//	BA6218	//	//	IC40,41		
	XB 98 00 01	//	BA9201	//	//	IC20		
	IG 00 12 40	//	TC4011BP	//	//	IC15		
	IG 05 51 00	//	TC4053BP	//	//	IC17		
※	XF 42 8A 00	//	NJM4053BD	//	//	} Inter-changeable		
	XB 69 80 01	//	YM3616	//	//		IC22	
※	XC 85 30 01	//	YM3613B	//	//	IC23		
※	XF 67 7A 00	//	YM6055C	//	//	IC25		
※	XF 30 6A 00	//	YM3027	//	//	IC36,37		
※	XF 65 9A 00	//	SM5813	//	//	IC24		
※	XF 81 9A 00	//	PCM58P-J	//	//	IC30~33		
※	XD 57 00 02	//	M50943-40ISP	//	//	IC18		
※	XF 65 7A 00	//	M50747-164SP	//	//	IC19		
※	XF 65 8A 00	//	M50747E-40ISP	//	//	} Inter-changeable		
	IG 00 17 20	//	TC4069U・B・P	//	//		IC13	
	IG 00 14 40	//	TC4071BP	//	//	IC16		
	IR 00 00 00	//	TC74HC00P	//	//	IC27		
	IR 00 74 00	//	TC74HC74P	//	//	IC14,29		
	XE 09 7A 00	//	CXK5816PS	//	//	IC21		
	XE 19 5A 00	//	LC3517B-15	//	//	} Inter-changeable		
※	VC 39 88 00	Quartz Crystal Unit	16.9344MHz	水 晶 振 動 子		XL1		
※	VG 73 64 00	Ceramic Resonator	4.32MHz	セラミック振動子		XL2		
	KA 40 14 30	Slide Switch	SSSU12	スライドスイッチ		SW2		
	VG 06 72 00	Optical Module		光伝送モジュール		UI		
※	VG 47 29 00	Pin Jack	IP Gold	ピンジャック		PJ1		
	LB 20 13 90	Base Pin	2P TE-Type	2.5ピッチベースピン		CB7,8,16,17		
	LB 30 07 30	//	3P TE-Type	//		CB9,18		
	LB 40 05 70	//	4P TE-Type	//		CB10		
	LB 50 02 50	//	5P TE-Type	//		CB13,14		
	VD 00 50 00	//	7P i-Type	P H ベースピン		CB1,2		
	VD 00 52 00	//	9P i-Type	//		CB3		
	VD 00 53 00	//	10P i-Type	//		CB4,5		
	VC 48 90 00	UP Connector	12P WH	U P コネクター		CB6		
	LA 00 41 20	Test Point Pin	IP	テストポイントピン				
	BB 06 62 90	Ground Washer		アースワッシャー				
	BA 09 29 70	Heat Sink		放 射 板				
	ED 33 00 86	Binding Head Screw	3×8 FCM3-BI	バインド小ネジ		PACK		

※New Parts (新規部品) NR

CDX-2020/1120/CD-5050

MECHANISM PARTS (CDX-2020)

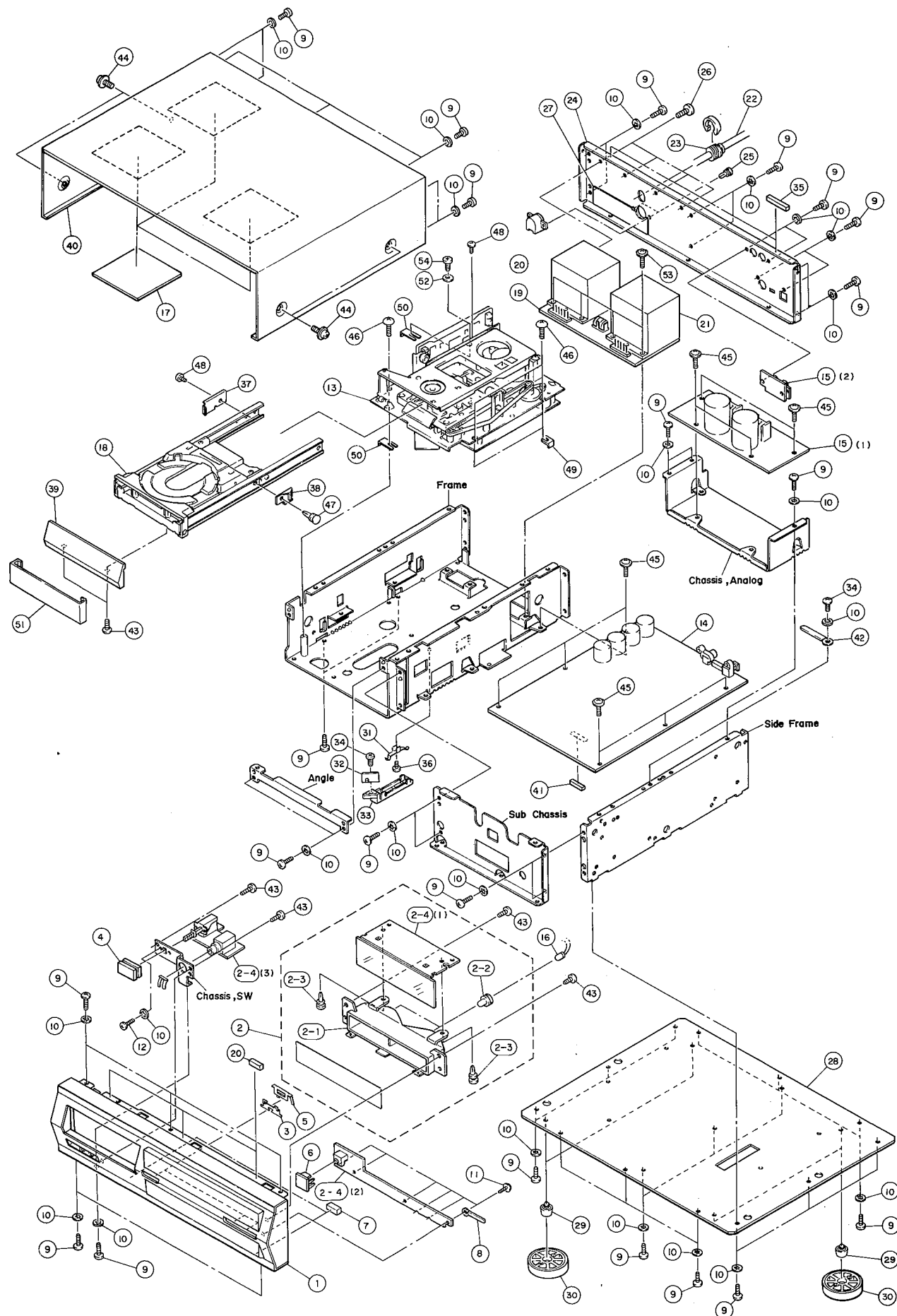
Ref. No.	Part No.	Description	部品名	Remarks	Common Model	Markets	ランク
※	1	VG:06:52:00	Front Panel Ass'y	フロントパネル Ass'y	Titan CDX-2020		
※	2	VG:48:04:00	LCD Unit	L C D ユ ニ ッ ト			
※	2-1	VG:06:39:00	Reflector	リ フ レ ク タ ー			
	2-2	VF:44:45:00	Lamp Cap.	ラ ン プ キ ャ ッ プ			
	2-3	CB:06:88:80	Plastic Rivet	プ ラ ス チ ャ ッ ク リ ベ ッ ト			
※	2-4	VG:48:29:00	Operation Circuit Board	オ ペ レ ー シ ョ ン シ ー ト	Titan		
※	3	VG:88:88:00	Button Ass'y	ボ タ ン A s s ' y	POWER		
	4	VD:94:08:00	Lens	レ ン ズ			
※	5	VH:08:63:00	Spacer	ス ペ ー サ / 線 材			
	6	CB:09:58:80	Wire Stopper	束 止 め			
	7	Ei:33:00:46	Binding Head Tapping Screw	3×4 FCRM3-BI	バ イ ン ド タ ッ ピ ン グ ネ ジ	PACK	
	8	Ei:33:00:66	//	3×6 FCRM3-BI	//	PACK	
	9	Ei:33:00:86	//	3×8 FCRM3-BI	//	PACK	
	10	EX:60:08:40	BW Head Tapping Screw	2×6(φ5.5) FCRM3-BI	B W ヘ ッ ド タ ッ ピ ン グ ネ ジ		
	11	ED:33:00:66	Binding Head Screw	3×6 FCRM3-BI	バ イ ン ド 小 ネ ジ	PACK	
※	12	VG:48:23:00	Main Circuit Board	メ イ ン シ ー ト		J	
※	//	VG:48:25:00	//	//		U,C,R,A,B,G	
※	13	VG:48:26:00	Audio Circuit Board	オ ー デ ィ オ シ ー ト		J	
※	//	VG:48:27:00	//	//		U,C,R,A,B,G	
※	14	VG:94:67:00	Lamp Ass'y	8V 150mA×2	ラ ン プ A s s ' y		
	15	VE:95:52:00	Side Panel		サ イ ド パ ネ ル L, R		
	16	VE:95:46:00	Support, S.P-F		サ ポ ー ト S. P - F		
	17	VE:95:47:00	Support, S.P-R		サ ポ ー ト S. P - R		
	18	EQ:03:11:66	Round Head Wood Screw	3.1×16 ZMC2-Y	丸 木 ネ ジ	PACK	
※	19	VH:08:69:00	Cushion, Top		ク ッ シ ョ ン / ト ッ プ		
	20	VF:78:28:00	Damper		ダ ン パ ー	CX-2000	
	21	VD:22:26:00	//		//	MX-55	
	22	VD:78:03:00	Spacer		ス ペ ー サ	HX-10000	
※	23	VG:15:17:00	Tray Unit		ト レ イ ユ ニ ッ ト		
※	24	VG:15:15:00	Disc Mechanism Ass'y	DM-2L	D M - 2 L 総 組 立		
※	25	VG:76:50:00	Power Supply Circuit Board		電 源 シ ー ト	J	
※	//	VG:76:51:00	//	//	//	U,C,A,B,G	
※	//	VG:76:52:00	//	//	//	R	
※	26	XF:71:8A:00	Power Transformer		電 源 ト ラ ン ス	DIGITAL	△
※	//	XF:71:9A:00	//	//	//	U,C	△
※	//	XF:72:0A:00	//	//	//	R	△
※	//	XF:72:1A:00	//	//	//	A,B	△
※	//	XF:72:2A:00	//	//	//	G	△
※	27	XF:72:3A:00	//	//	//	AUDIO	△
※	//	XF:72:4A:00	//	//	//	U,C	△
※	//	XF:72:5A:00	//	//	//	R,A,B	△
※	//	XF:72:6A:00	//	//	//	G	△
※	28	VH:20:12:00	Power Cord	7A 125V	電 源 コ ー ド	J	△
	//	MG:00:22:20	//	10A 125V	//	U,C	△
	//	MG:00:16:30	//	6A 250V	//	R	△
	//	MG:00:23:10	//	7.5A 250V	//	A	△
	//	MG:00:23:30	//	300/300V	//	B	△
	//	MG:00:23:20	//	2.5A 250V	//	G	△
	29	CB:62:01:90	Cord Stopper	CM-22B	コ ー ド ス ト ッ パ ー	R,A,B,G	
	//	CB:62:02:00	//	CM-22C	//	U,C	
※	30	VG:06:07:00	Rear Panel		リ ア パ ネ ル	J	
※	//	VG:06:08:00	//	//	//	U	
※	//	VG:06:09:00	//	//	//	C	

※New Parts (新規部品) NR

Ref. No.	Part No.	Description	部品名	Remarks	Common Model	Markets	ランク
※	30	VG:06:10:00	Rear Panel		リ ア パ ネ ル	R	
※	//	VG:06:11:00	//	//	//	A,B	
※	//	VG:06:12:00	//	//	//	G	
	31	CB:60:92:60	Plastic Rivet		プ ラ ス チ ャ ッ ク リ ベ ッ ト	R	
	32	Ei:34:00:86	Binding Head Tapping Screw	4×8 FCRM3-BI	バ イ ン ド タ ッ ピ ン グ ネ ジ	PACK	
※	33	VG:87:73:00	Bottom Cover		ボ ト ム カ バ ー		
	34	VG:14:34:00	Leg		脚	CDX-1020	
	35	VG:26:43:00	Leg Base Ass'y		レ ッ グ ベ ー ス A s s ' y	//	
	36	BB:07:14:00	Spring		ス プ リ ン グ	CDX-2200	
※	37	VG:41:71:00	Lock Angle		ロ ッ ク 金 具		
	38	CB:66:10:10	Knob		ノ ブ	CDX-2200	
※	39	VG:71:51:00	Spacer, Top		ス ペ ー サ / ト ッ プ		
	40	EV:41:30:36	Toothed Lock Washer	φ3 FCRM3-BI	歯 付 座 金	PACK	
※	42	VG:15:30:00	Plate		プ レ ー ト / シ ャ ッ タ ー		
※	43	CB:65:67:70	Stopper, Belt		ス ト ッ パ ー / ベ ル ト	DM-1X	
※	44	VG:06:24:00	Lid		リ ッ ド		
	45	VE:94:91:00	Top Panel, A		ト ッ プ パ ネ ル A	CX-2000	
	46	VE:94:92:00	//, B		// B	//	
※	47	VH:08:64:00	Spacer, Main		ス ペ ー サ / メ イ ン		
	48	VD:39:92:00	Wire Stopper		束 線 止 め		
	49	EC:33:00:66	Truss Head Screw	3×6 FCRM3-BI	ト ラ ス 小 ネ ジ		
	51	EK:33:60:10	BW Head Tapping Screw	3×8(φ8) FCRM3-BI	B W ヘ ッ ド タ ッ ピ ン グ ネ ジ		
	52	EC:34:00:86	Truss Head Screw	4×8 FCRM3-BI	ト ラ ス 小 ネ ジ		
	54	CB:60:56:20	Plastic Rivet		プ ラ ス チ ャ ッ ク リ ベ ッ ト		
	55	Ei:32:60:46	Binding Head Tapping Screw	2.6×4 FCRM3-BI	バ イ ン ド タ ッ ピ ン グ ネ ジ	PACK	
※	56	VH:58:27:00	Spacer, DM-2L		ス ペ ー サ / D M - 2 L		
※	57	VH:60:95:00	Spacer L, DM-2L		ス ペ ー サ L / D M - 2 L		
※	58	VH:68:71:00	Spacer, Lid		ス ペ ー サ / リ ッ ド		
※	59	VH:62:37:00	Shield Plate		シ ー ル ド プ レ ー ト		R,A,B
※	//	Vi:01:97:00	Shield Plate, U		シ ー ル ド プ レ ー ト / U		U,C,G
	60	EX:60:11:40	Plain Washer	4×10×0.8 ZMC2-Y	平 座 金		
	61	EK:33:00:30	BW Head Tapping Screw	3×10(φ8) FCRM3-BI	B W ヘ ッ ド タ ッ ピ ン グ ネ ジ		
	62	ED:34:00:86	Binding Head Screw	4×8 FCRM3-BI	バ イ ン ド 小 ネ ジ	PACK	
※	63	VG:90:47:00	Holder, Button		ホ ル ダ ー / ボ タ ン		
※	64	VG:90:46:00	Spring, Button		ス プ リ ン グ / ボ タ ン		
※	65	VH:70:05:00	Sheet, Shield		シ ー ト / シ ー ル ド		A,B,G
		CB:06:92:51	Binding Tie	BK-1	イ ン シ ュ ロ ッ ク タイ	PACK	
			Accessories		付 属 品		
		VD:29:53:00	Pin Cord		ピ ン コ ー ド		
※		VG:82:32:00	Remote Control Transmitter		リ モ ー ト コ ン ト ロ ー ル ト ラ ン ス ミ ッ タ ー		
			Dry Cell	AA, R06	単 3 乾 電 池		

※New Parts (新規部品) NR

EXPLODED VIEW (CDX-1120/CD-5050)

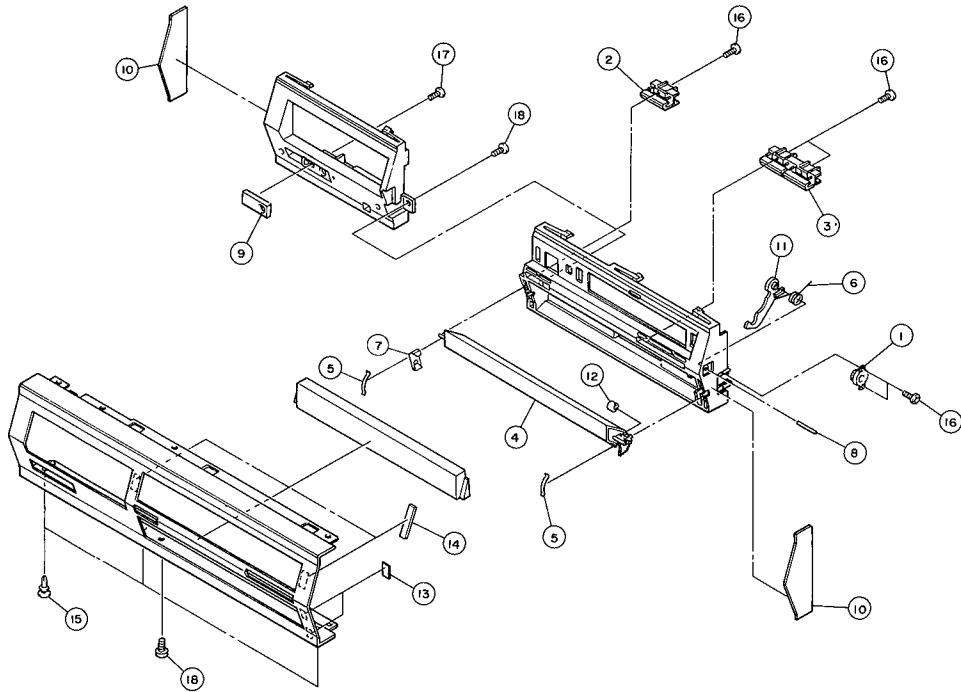


MECHANISM PARTS (CDX-1120/CD-5050)

Ref. No.	Part No.	Description	部品名	Remarks	Common Model	Markets	ランク
※ 1	VG : 47 : 97 : 00	Front Panel Ass'y	フロントパネル Ass'y	Titan CDX-1120		U,C,G,P	
※ //	VG : 47 : 99 : 00	//	//	// CDX-5050		R,A,B	
※ //	VG : 48 : 01 : 00	//	//	Black CDX-1120		U,C,G,P	
※ //	VG : 48 : 03 : 00	//	//	// CD-5050		R,A,B	
※ 2	VG : 48 : 04 : 00	LCD Unit	L C D ユ ニ ッ ト	Titan			
※ //	VG : 48 : 06 : 00	//	//	Black			
※ 2-1	VG : 06 : 39 : 00	Reflector	リ フ レ ク タ ー				
2-2	VF : 44 : 45 : 00	Lamp Cap	ラ ン プ キ ャ ッ プ				
2-3	CB : 06 : 88 : 80	Plastic Rivet	プ ラ ス チ ャ ッ ク リ ベ ッ ト				
※ 2-4	VG : 48 : 29 : 00	Operation Circuit Board	オ ペ レ ー シ ョ ン シ ー ト	Titan			
※ //	VG : 48 : 30 : 00	//	//	Black			
※ 3	VG : 90 : 47 : 00	Holder, Button	ホ ル ダ ー / ボ タ ン				
4	VG : 88 : 88 : 00	Button Ass'y	ボ タ ン A s s ' y	Titan POWER			
※ //	VG : 88 : 87 : 00	//	//	Black //			
※ 5	VG : 90 : 46 : 00	Spring, Button	ス プ リ ン グ / ボ タ ン				
6	VD : 94 : 08 : 00	Lens	レ ン ズ				
※ 7	VH : 08 : 63 : 00	Spacer	ス ペ ー サ / 線 材				
8	CB : 09 : 58 : 80	Wire Stopper	束 線 止 め				
9	EI : 33 : 00 : 86	Binding Head Tapping Screw	3×8 FCRM3-BI バインドタッピングネジ	PACK			
10	EV : 41 : 30 : 36	Toothed Lock Washer	φ3 FCRM3-BI 歯付座金	PACK			
11	EX : 60 : 08 : 40	BW Head Tapping Screw	2×6(φ5.5) FCRM3-BI BWヘッドタッピングネジ				
12	ED : 33 : 00 : 60	Binding Head Screw	3×6 FCRM3-BI バインド小ネジ	PACK			
※ 13	VG : 15 : 15 : 00	Disc Mechanism Ass'y	DM-2L D M - 2 L 総組立				
※ 14	VG : 48 : 25 : 00	Main Circuit Board	メ イン シ ー ト				
※ 15	VG : 48 : 27 : 00	Audio Circuit Board	オ ー デ ィ オ シ ー ト				
※ 16	VG : 94 : 67 : 00	Lamp Ass'y	8V 150mA×2 ラ ン プ A s s ' y				
17	VF : 22 : 26 : 00	Damper	ダ ン パ ー			MX-55	
※ 18	VG : 15 : 17 : 00	Tray Unit	ト レ イ ユ ニ ッ ト				
※ 19	VG : 76 : 51 : 00	Power Supply Circuit Board	電 源 シ ー ト			U,C,A,B,G	
※ //	VG : 76 : 52 : 00	//	//			R,P	
※ 20	XF : 71 : 9A : 00	Power Transformer	電 源 ト ラ ン ス	DIGITAL		U,C	△
※ //	XF : 72 : 0A : 00	//	//	//		R,P	△
※ //	XF : 72 : 1A : 00	//	//	//		A,B	△
※ //	XF : 72 : 2A : 00	//	//	//		G	△
※ 21	XF : 72 : 4A : 00	//	//	AUDIO		U,C	△
※ //	XF : 72 : 5A : 00	//	//	//		R,A,B,P	△
※ //	XF : 72 : 6A : 00	//	//	//		G	△
22	MG : 00 : 22 : 20	Power Cord	10A 125V 電 源 コ ー ド			U,C	△
※ //	MG : 00 : 16 : 30	//	6A 250V			R,P	△
※ //	MG : 00 : 23 : 10	//	7.5A 250V			A	△
※ //	MG : 00 : 23 : 30	//	300/300V			B	△
※ //	MG : 00 : 23 : 20	//	2.5A 250V			G	△
23	CB : 62 : 01 : 90	Cord Stopper	CM-22B コ ー ド ス ト ッ パ ー			R,A,B,G,P	
※ //	CB : 62 : 02 : 00	//	CM-22C			U,C	
※ 24	VG : 66 : 57 : 00	Rear Panel	リ ア パ ネ ル			U	
※ //	VG : 66 : 58 : 00	//	//			C	
※ //	VG : 66 : 59 : 00	//	//			R	
※ //	VG : 66 : 60 : 00	//	//			A,B	
※ //	VG : 66 : 61 : 00	//	//			G	
※ //	VG : 66 : 66 : 00	//	//			P	
25	CB : 60 : 92 : 60	Plastic Rivet	プ ラ ス チ ャ ッ ク リ ベ ッ ト			R	
26	EI : 34 : 00 : 86	Binding Head Tapping Screw	4×8 FCRM3-BI バインドタッピングネジ	PACK			
※ 27	VH : 70 : 05 : 00	Sheet, Shield	シ ー ト / シ ー ル ド			A,B,G	

※New Parts (新規部品) NR

1 ■ EXPLODED VIEW (Front Panel Ass'y)



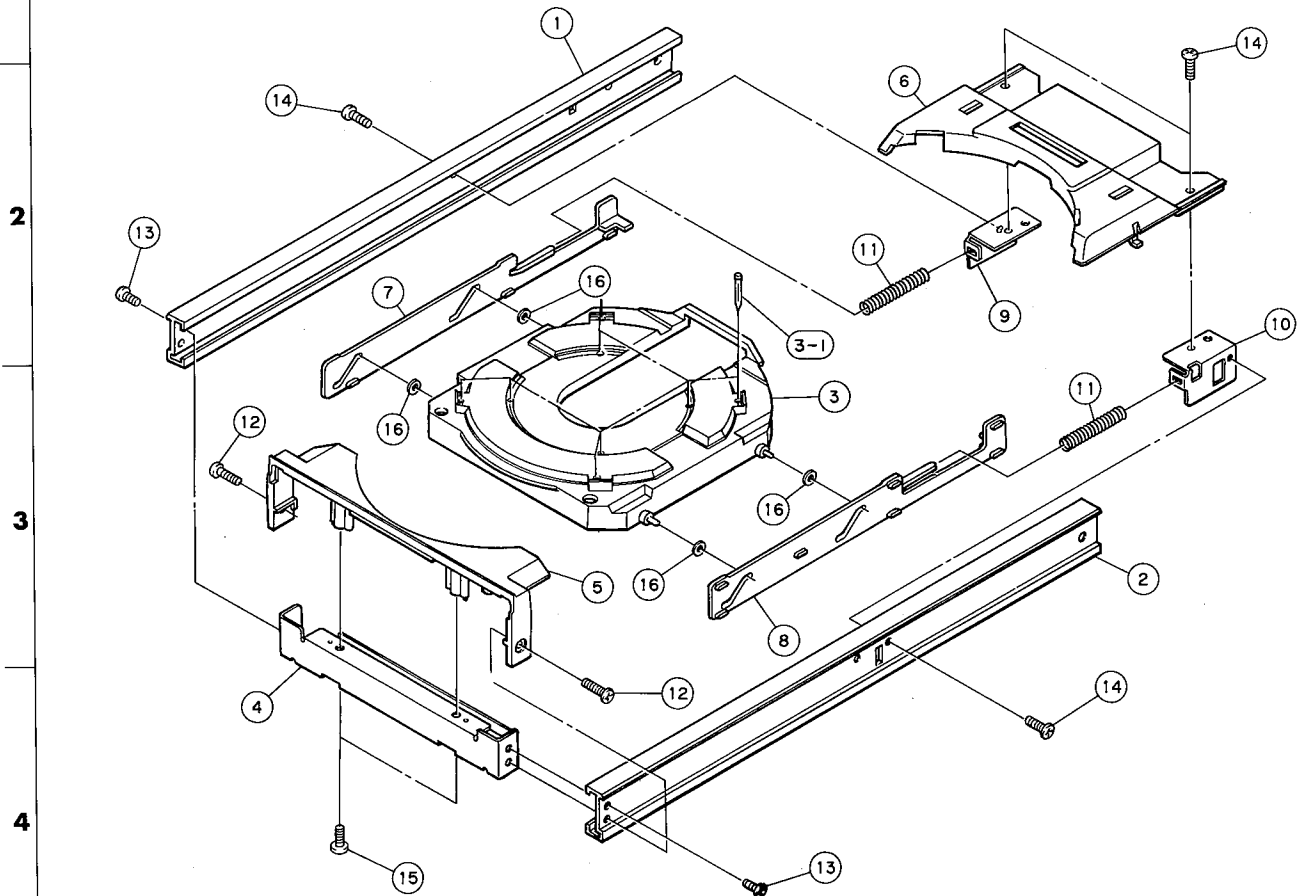
2 3 ■ PARTS LIST

Ref. No.	Part No.	Description	部 品 名	Remarks	Common Model	Markets	ランク
※	VG 06 52 00	Front Panel Ass'y	フロントパネル Ass'y	Titan CDX-2020			
※	VG 47 97 00	//	//	// CDX-1120			
※	VG 47 99 00	//	//	// CD-5050			
※	VG 48 01 00	//	//	Black CDX-1120			
※	VG 48 03 00	//	//	// CD-5050			
※	1 VG 06 48 00	Damper	ダンパー				
※	2 VG 06 42 00	Button Ass'y	ボタン Ass'y	Black OPEN/CLOSE			
※	// VG 06 43 00	//	//	Titan //			
※	3 VG 06 44 00	//	//	Black PLAY, PAUSE/STOP			
※	// VG 06 45 00	//	//	Titan //			
※	4 VG 06 49 00	Sealing Ass'y	シーリング Ass'y	Black			
※	// VG 06 51 00	//	//	Titan			
※	5 VG 05 95 00	Spring, Sealing	スプリング/シーリング				
※	6 VG 05 96 00	Spring, Lever	スプリング/レバー				
※	7 VG 90 98 00	Spring, Shaft	スプリング/シャフト				
	8 AA 63 14 60	Pin	φ2×14.5	ピン			
※	9 VG 06 25 00	Panel, HP	HPパネル	Black			
※	// VG 06 27 00	//	//	Titan			
※	10 VG 06 31 00	Panel, Side	パネルサイド	Black			
※	// VG 06 33 00	//	//	Titan			
※	11 VG 06 34 00	Lever	クリックレバー				
※	12 VG 06 04 00	Roller	ローラー				
※	13 VG 71 53 00	Cushion, Sealing B	クッション/シーリングB				
※	14 VG 71 58 00	Cushion, Window	クッション/ウィンドウ				
	15 CB 60 32 40	Plastic Rivet	プラスチックリベット				
	16 EJ 32 00 66	Pan Head Tapping Screw	2×6 FCRM3-BI	ナベタッピングネジ	PACK		
	17 ED 33 00 66	Binding Head Screw	3×6 FCRM3-BI	バインド小ネジ	PACK		
	18 Ei 33 00 86	Binding Head Tapping Screw	3×8 FCRM3-BI	バインドタッピングネジ	PACK		

※New Parts (新規部品) NR

CDX-2020/1120/
CD-5050

EXPLODED VIEW (Tray Unit)



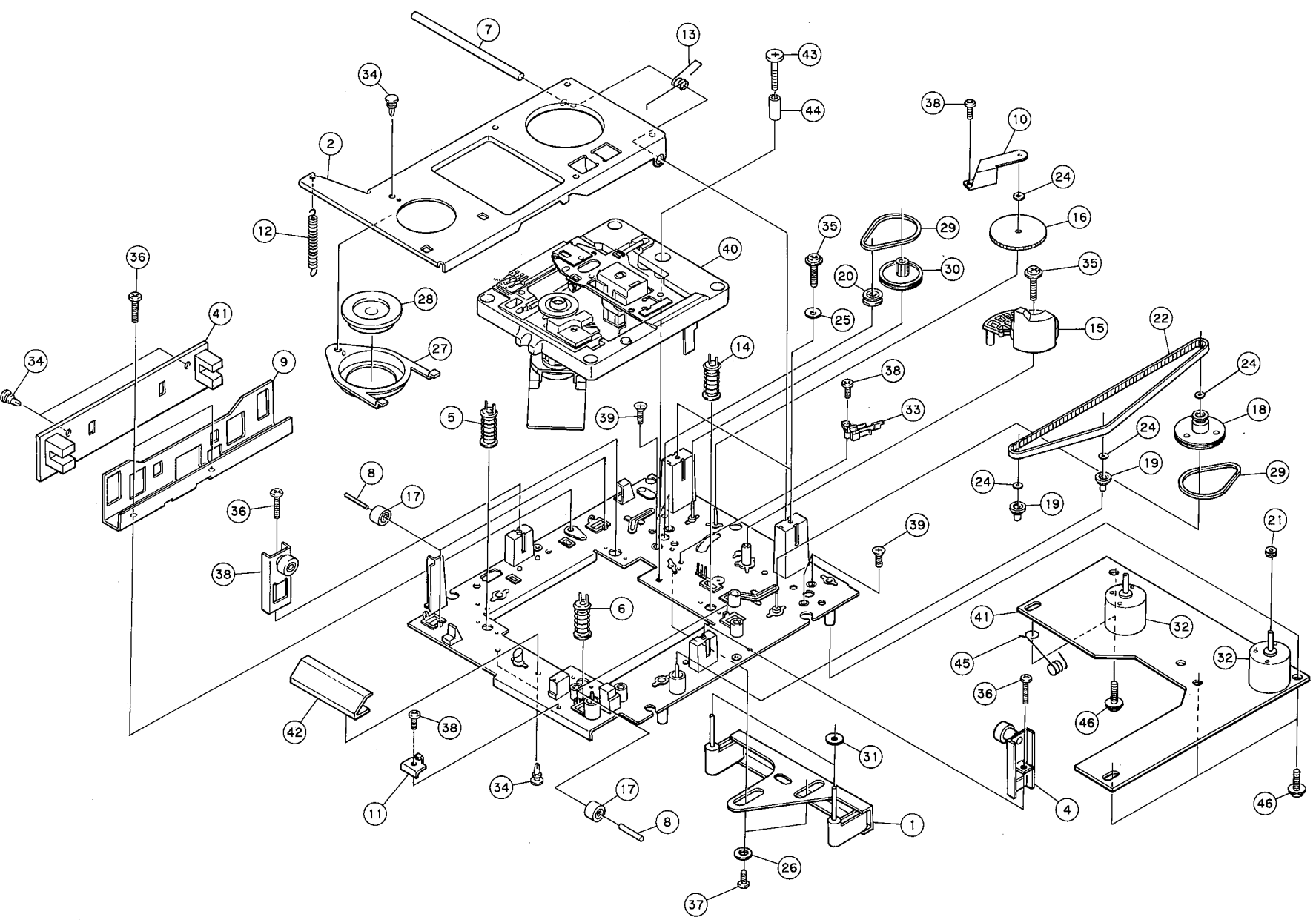
PARTS LIST

Ref. No.	Part No.	Description	部 品 名	Remarks	Common Model	Markets	ランク
※	VG 15 17 00	Tray Unit	トレイユニット				
※	1 VG 15 21 00	Frame, L	フ レ ー ム L				
※	2 VG 15 22 00	// , R	// R				
※	3 VH 49 80 00	Tray, Disc Ass'y	トレイ/ディスク Ass'y				
	3-1 VE 04 16 00	Pad, Disc	パッド/ディスク				
※	4 VG 21 88 00	Support, Tray	サポ ー ト/トレイ				
	5 CB 65 70 90	Cover A, Tray	カバ ー A /トレイ		DM-IX		
	6 CB 65 71 00	Cover B, Tray	カバ ー B /トレイ		//		
※	7 VG 15 23 00	Lifter, L	リ フ タ ー L				
※	8 VG 15 24 00	// , R	// R				
※	9 VG 21 91 00	Holder L, Cover	ホルダ ー L /カバー				
※	10 VG 21 92 00	Holder R, Cover	ホルダ ー R /カバー				
※	11 AA 63 11 60	Spring, COM	スプリング/COM		DM-IX		
	12 ED 32 60 86	Binding Head Screw	2.6×8 ZMC2-BI	バイ ン ド 小 ネ ジ	PACK		
	13 ED 32 60 46	//	2.6×4 ZMC2-BI	//	PACK		
	14 Ei 32 60 66	Binding Head Tapping Screw	2.6×6 FCRM3-BI	バイ ン ド タ ッ ピ ン グ ネ ジ	PACK		
	15 Ei 32 60 86	//	2.6×8 FCRM3-BI	//	PACK		
	16 EV 90 02 30	Washer	φ2 t=0.5	ポ リ ス ラ イ ダ ー ワ ッ シ ャ ー			

※New Parts (新規部品) NR

CDX-2020/1120/
CD-5050

EXPLODED VIEW (DM-2L)



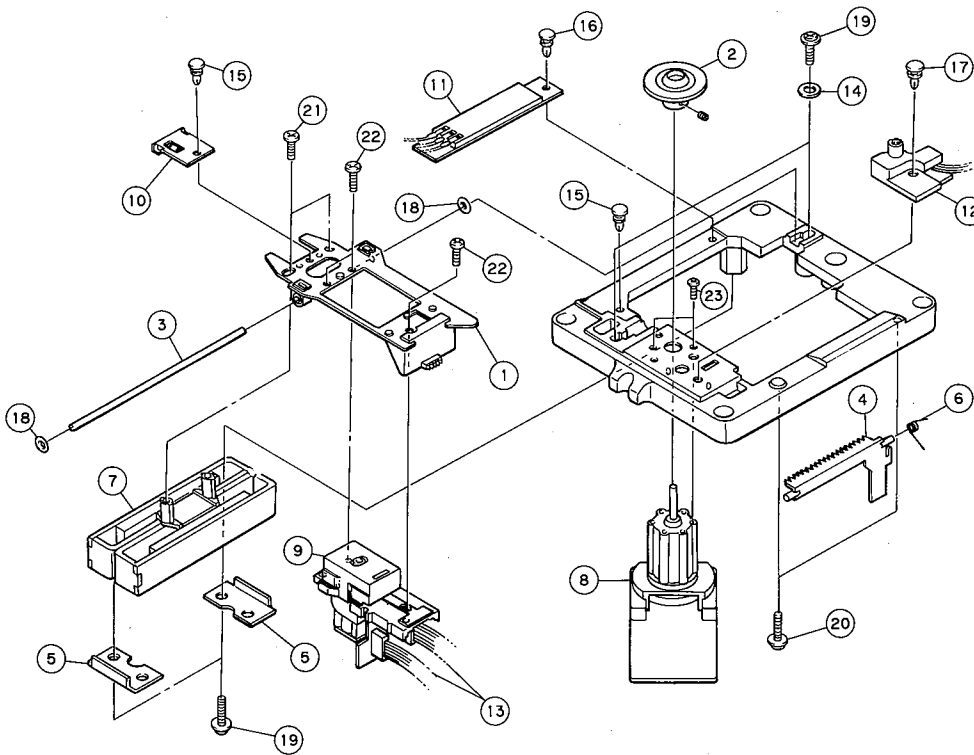
MECHANISM PARTS (DM-2L)

Note) ϕ : Diameter

Ref. No.	Part No.	Description	部 品 名	Remarks	Common Model	Markets	ランク
※	VG 15 15 00	Disc Mechanism Ass'y	DM-2L	D M - 2 L 総組立			
※	1 VH 15 00 00	Connector Ass'y		コネクタ - Ass'y			
※	2 VH 14 98 00	Stabilizer Ass'y		スタビライザ - Ass'y			
※	3 VH 15 01 00	Roller Ass'y, L		ローラ - Ass'y L			
※	4 VH 15 02 00	// , R		// R			
※	5 VH 16 53 00	Damper		ダンパー			
※	6 VH 16 54 00	//		//			
	7 AA 63 11 50	Shaft	$\phi 4 \times 100$	シャフト	DM-IX		
	8 AA 63 14 60	Pin	$\phi 2 \times 14.5$	ピン	//		
※	9 VG 15 28 00	Support, Sensor		サポート/センサー			
	10 VD 22 31 00	Support, Shaft		サポート/シャフト	DM-IX		
	11 VD 43 02 00	Ground Plate, Tray		アースプレート/トレイ	//		
	12 AA 63 22 30	Spring, EXT		スプリング/EXT	//		
	13 VD 63 09 00	// , TOR		// / T O R	//		
※	14 VH 16 55 00	Damper		ダンパー			
	15 CB 65 61 60	Cam, Gear		カム / ギヤ	DM-IX		
	16 CB 65 55 80	Drive Gear 2		ドライブギヤ / 2	DM-X5		
	17 CB 65 67 40	Roller		ローラ -	DM-IX		
	18 CB 65 62 00	Pulley Ass'y		プーリー - Ass'y	//		
	19 CB 65 61 70	Pulley, Gear		プーリー / ギヤ	//		
※	20 VG 25 45 00	Pulley S		プーリー / S			
	21 CB 65 85 10	P Pulley		P プーリー	DM-X5		
	22 CB 65 61 90	Belt, Gear		ベルト / ギヤ	DM-IX		
	23 VE 56 18 00	Pad, Magnet		パッド / マグネット	//		
	24 CB 66 20 20	Stopper Ring		ストッパーリング	//		
	25 CB 66 09 80	Washer		ワッシャ	//		
	26 CB 60 62 10	//		//	//		
	27 CB 65 66 90	Holder, Clumper		ホルダー / クランパ	//		
※	28 VG 35 87 00	Clumper, Magnet		クランパ / マグネット			
	29 CB 64 95 50	Belt		ベルト	DM-IX		
	30 CB 65 85 20	Idle Pulley		アイドルプーリー	DM-5X		
	31 CC 01 69 80	Damper		ダンパー	DM-IX		
	32 VE 41 52 00	Motor	MDH2B	モーター			
	33 KA 90 63 70	Switch	MSW-1485	エンドスイッチ			
	34 CB 60 88 10	Plastic Rivet		プラスチックリベット			
	35 EK 33 00 10	BW Head Tapping Screw	3×12($\phi 10$) FCRM3-BI	BWヘッドタッピングネジ			
	36 Ei 33 01 06	Binding Head Tapping Screw	3×10 FCRM3-BI	バインドタッピングネジ	PACK		
	37 Ei 32 60 86	//	2.6×8 FCRM3-BI	//	PACK		
	38 ED 32 60 66	Binding Head Screw	2.6×6 ZMC2-BI	バインド小ネジ	PACK		
	39 EB 33 00 66	Flat Head Screw	3×6 FCRM3-BI	皿小ネジ	PACK		
※	40 VG 15 16 00	Disc Mechanism Unit		ディスクメカユニット			
※	41 VG 76 84 00	DM Circuit Board		D M シート			
※	42 VG 15 29 00	Support		サポート / ディスクメカ			
	43 AA 62 87 20	Screw		スクリュー			
	44 VH 47 22 00	Spacer	$\phi 4.1, \phi 5.3, l=15$	スペーサ			
※	45 VH 24 08 00	Spring, PIC		スプリング / PIC			
	46 EK 33 00 30	BW Head Tapping Screw	3×10($\phi 8$) FCRM3-BI	BWヘッドタッピングネジ			
	CB 06 92 51	Binding Tie	BK-1	インシュロックタイ	PACK		

※New Parts (新規部品) NR

EXPLODED VIEW (Disc Mechanism)



PARTS LIST

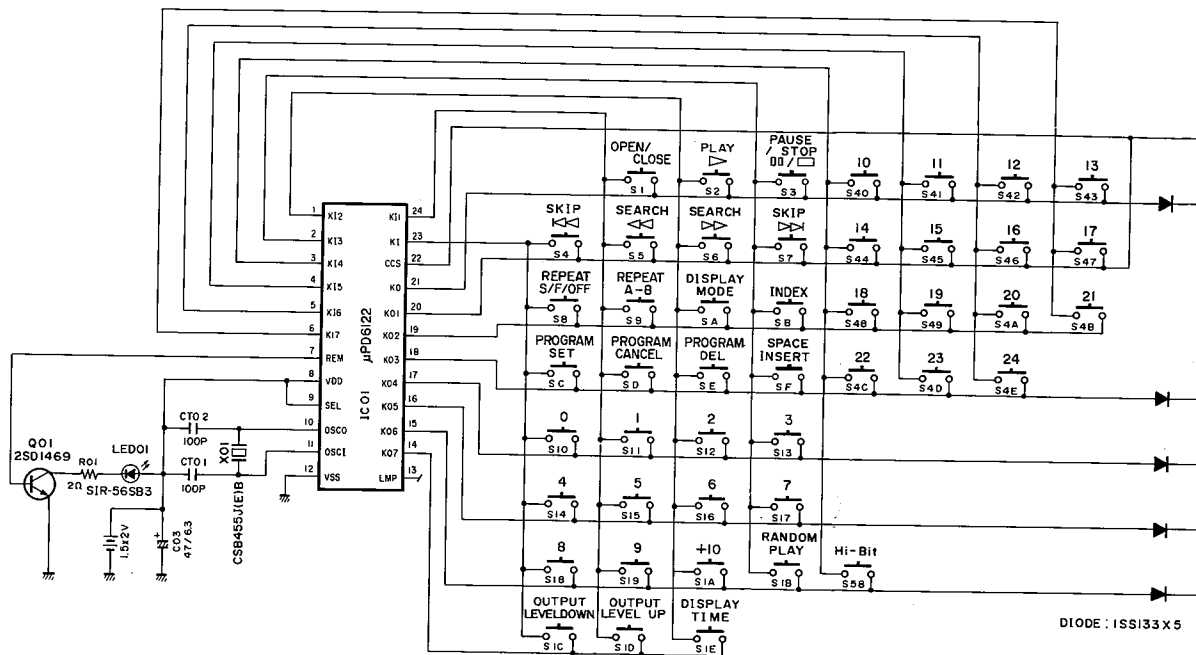
Ref. No.	Part No.	Description	部品名	Remarks	Common Model	Markets	ランク
※	VG 15 16 00	Disc Mechanism Unit	ディスクメカユニット				
1	NB 63 72 80	PU Base Ass'y	P U ベース Ass'y		DM-IX		
※	2 VG 21 84 00	Disc Table Ass'y	ディスクテーブル Ass'y				
3	AA 63 11 50	Shaft $\phi 4 \times 100$	シャフト		DM-IX		
4	CB 65 56 00	Lever, Lock	レバー / ロック		//		
※	5 VH 14 97 00	Washer, Magnet	マグネットワッシャ				
6	AA 63 17 40	Spring, TOR	スプリング / TOR		DM-IX		
7	VB 81 76 00	Liner Motor TDS-LOC-02	リニアモーター		//		
※	8 VG 38 10 00	Disc Motor SD04CB	ディスクモーター				
9	VE 72 03 00	Optical Pick Up Head HG-I	光ピックアップヘッド				
10	VC 47 45 00	CP Brush	C P ブラシ		DM-IX		
※	11 VG 21 93 00	CP Element Ass'y	C P エlement Ass'y				
12	NA 09 26 90	FG Circuit Board	F G シート		DM-IX		
※	13 VG 75 08 00	Connector Ass'y	コネクタ Ass'y				
14	CB 66 09 80	Washer	ワッシャ				
15	CB 09 96 00	Plastic Rivet	プラスチックリベット				
16	CB 60 88 10	//	//				
17	CB 03 27 50	//	//				
18	EX 60 05 10	O Ring $\phi 3.8$	O リング				
19	EK 33 00 10	BW Head Tapping Screw $3 \times 12(\phi 10)$ FCRM3-BI	B W ヘッドタッピングネジ				
20	EK 33 00 30	// $3 \times 10(\phi 8)$ FCRM3-BI	//				
21	Ei 32 60 86	Binding Head Tapping Screw 2.6×8 FCRM3-BI	バインドタッピングネジ	PACK			
22	ED 32 60 66	Binding Head Screw 2.6×6 ZMC2-BI	バインド小ネジ	PACK			
23	ED 32 00 66	// 2×6 ZMC2-BI	//	PACK			

※New Parts (新規部品) NR

CDX-2020/1120/CD-5050

REMOTE CONTROL TRANSMITTER

SCHEMATIC DIAGRAM



FUNCTION	DATA CODE	FUNCTION	DATA CODE	FUNCTION	DATA CODE
OPEN/CLOSE	01	2	12	14	44
PLAY	02	3	13	15	45
PAUSE/STOP	03	4	14	16	46
SKIP \lll	04	5	15	17	47
SEARCH \lll	05	6	16	18	48
SEARCH \ggg	06	7	17	19	49
SKIP \ggg	07	8	18	20	4A
REPEAT S/F/OFF	08	9	19	21	4B
REPEAT A-B	09	+ 10	1A	22	4C
DISPLAY TIME	0A	RANDOM PLAY	1B	23	4D
INDEX	0B	OUTPUT LEVEL DOWN	1C	24	4E
PROGRAM MANUAL	0C	OUTPUT LEVEL UP	1D	Hi-Bit	58
PROGRAM CANCEL	0D	DISPLAY MODE	1E		
PROGRAM DELETE	0E	10	40		
SPACE INSERT	0F	11	41		
0	10	12	42		
1	11	13	43		

CUSTOM CODE
79

PARTS LIST

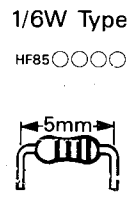
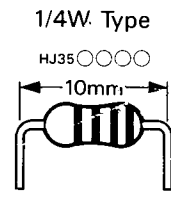
Ref. No.	Part No.	Description	部 品 名	Remarks	Common Model	Markets	ランク
※	VG 82 32 00	Remote Control Transmitter	リモートコントロールトランスミッター	Titan			
※	VG 82 31 00	//	//	Black			
	CX 60 19 50	Battery Case	電 池 蓋	Titan			
	CX 60 19 60	//	//	Black			
		Dry Cell	AA, R06	単 3 乾 電 池			

※New Parts (新規部品) NR

CDX-2020/1120/CD-5050

Parts List for Carbon Resistors

Value	1/4W Type Part No.	1/6W Type Part No.	Value	1/4W Type Part No.	1/6W Type Part No.
1.0 Ω	HJ353100	HF853100	12KΩ	HJ357120	HF857120
1.8 "	HJ353180	※	15 "	HJ357150	HF857150
2.2 "	HJ353220	HF853220	18 "	HJ357180	HF857180
3.3 "	HJ353330	HF853330	22 "	HJ357220	HF857220
4.7 "	HJ353470	HF853470	27 "	HJ357270	HF857270
5.6 "	HJ353560	HF853560	33 "	HJ357330	HF857330
10 "	HJ354100	HF854100	39 "	HJ357390	HF857390
15 "	HJ354150	HF854150	47 "	HJ357470	HF857470
22 "	HJ354220	HF854220	56 "	HJ357560	HF857560
27 "	HJ354270	HF854270	68 "	HJ357680	HF857680
33 "	HJ354330	HF854330	82 "	HJ357820	HF857820
39 "	HJ354390	HF854390	91 "	HJ357910	HF857910
47 "	HJ354470	HF854470	100 "	HJ358100	HF858100
56 "	HJ354560	HF854560	120 "	HJ358120	HF858120
68 "	HJ354680	HF854680	150 "	HJ358150	HF858150
82 "	HJ354820	HF854820	180 "	HJ358180	HF858180
100 "	HJ355100	HF855100	220 "	HJ358220	HF858220
110 "	HJ355110	HF855110	270 "	HJ358270	HF858270
120 "	HJ355120	HF855120	330 "	HJ358330	HF858330
150 "	HJ355150	HF855150	390 "	HJ358390	HF858390
160 "	HJ355160	※	470 "	HJ358470	HF858470
180 "	HJ355180	HF855180	560 "	HJ358560	HF858560
220 "	HJ355220	HF855220	680 "	HJ358680	HF858680
270 "	HJ355270	HF855270	820 "	HJ358820	HF858820
330 "	HJ355330	HF855330	1.0MΩ	HJ359100	HF859100
390 "	HJ355390	HF855390	1.2 "	HJ359120	※
470 "	HJ355470	HF855470	1.5 "	HJ359150	HF859150
510 "	※	HF855510	1.8 "	HJ359180	HF859180
560 "	HJ355560	HF855560	2.2 "	HJ359220	HF859220
680 "	HJ355680	HF855680	3.3 "	HJ359330	HF859330
820 "	HJ355820	HF855820	3.9 "	HJ359390	※
910 "	HJ355910	HF855910	4.7 "	HJ359470	HF859470
1.0KΩ	HJ356100	HF856100			
1.2 "	HJ356120	HF856120			
1.5 "	HJ356150	HF856150			
1.8 "	HJ356180	HF856180			
2.0 "	HJ356200	HF856200			
2.2 "	HJ356220	HF856220			
2.4 "	HJ356240	HF856240			
2.7 "	HJ356270	HF856270			
3.0 "	HJ356300	HF856300			
3.3 "	HJ356330	HF856330			
3.6 "	HJ356360	HF856360			
3.9 "	HJ356390	HF856390			
4.7 "	HJ356470	HF856470			
5.1 "	HJ356510	HF856510			
5.6 "	HJ356560	HF856560			
6.8 "	HJ356680	HF856680			
8.2 "	HJ356820	HF856820			
9.1 "	HJ356910	HF856910			
10 "	HJ357100	HF857100			



CDX-2020/1120/
CD-5050